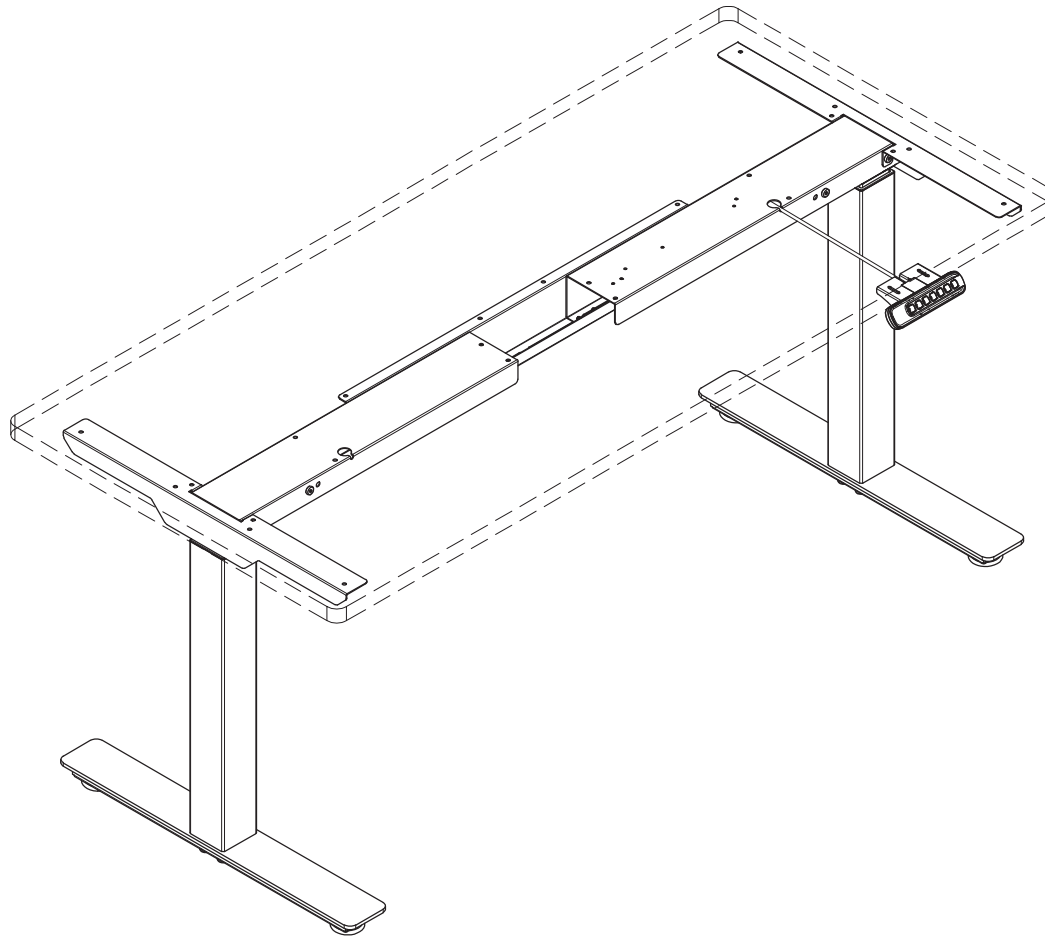


ASSEMBLY INSTRUCTIONS

MODEL: PLTEAB4872E2S2MNF+PLTEAB4872E2S2MWF24+ PLTEAB4872E3S2MNF+PLTEAB4872E3S2MWF24

Before assembly, please remove all parts from the carton, verifying that you have the correct quantities, and read all the instructions.




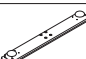










⚠ ATTENTION ⚠

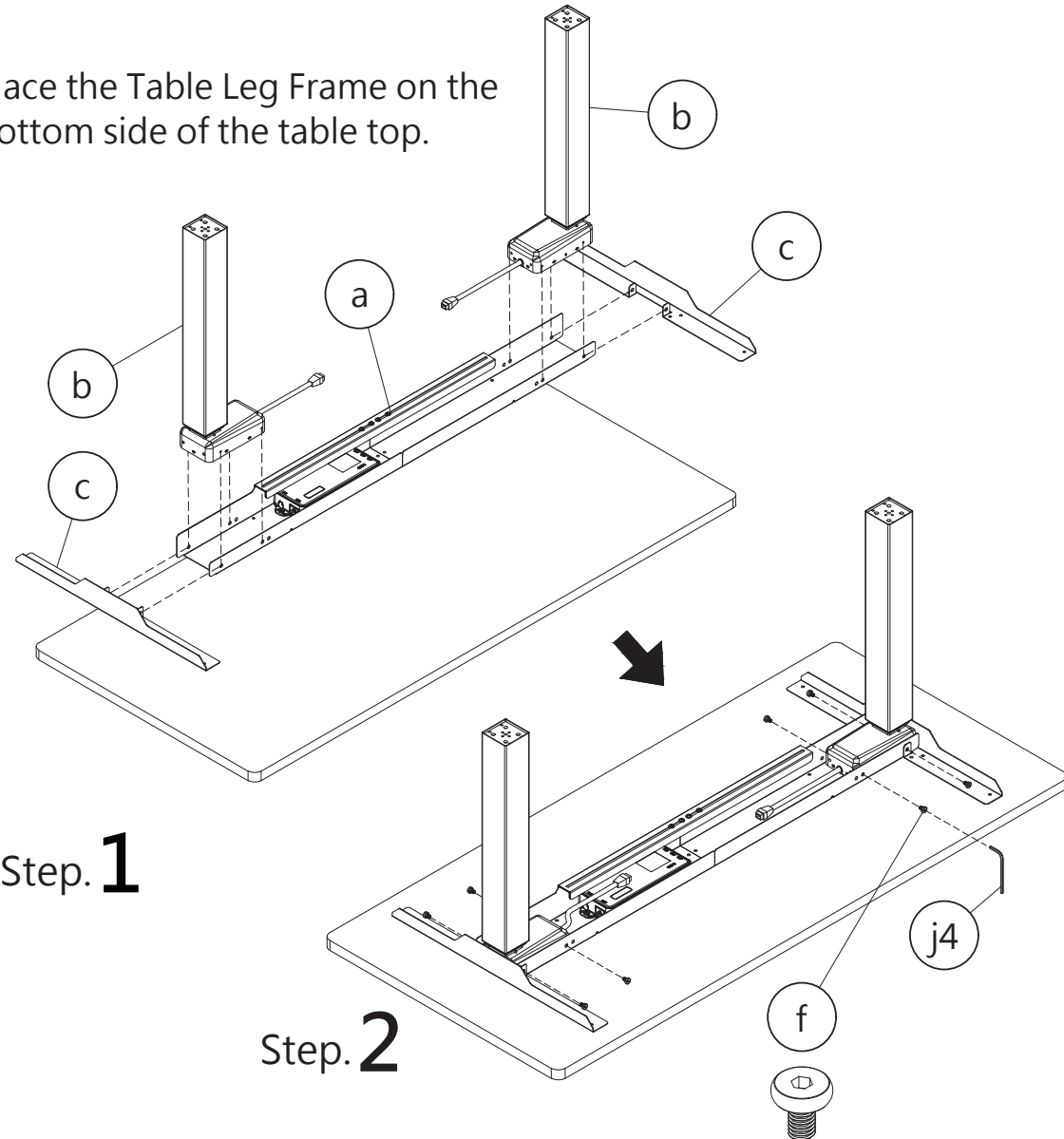
Ensure all bolts and screws are tightened, check bolts and screws every 6 months.

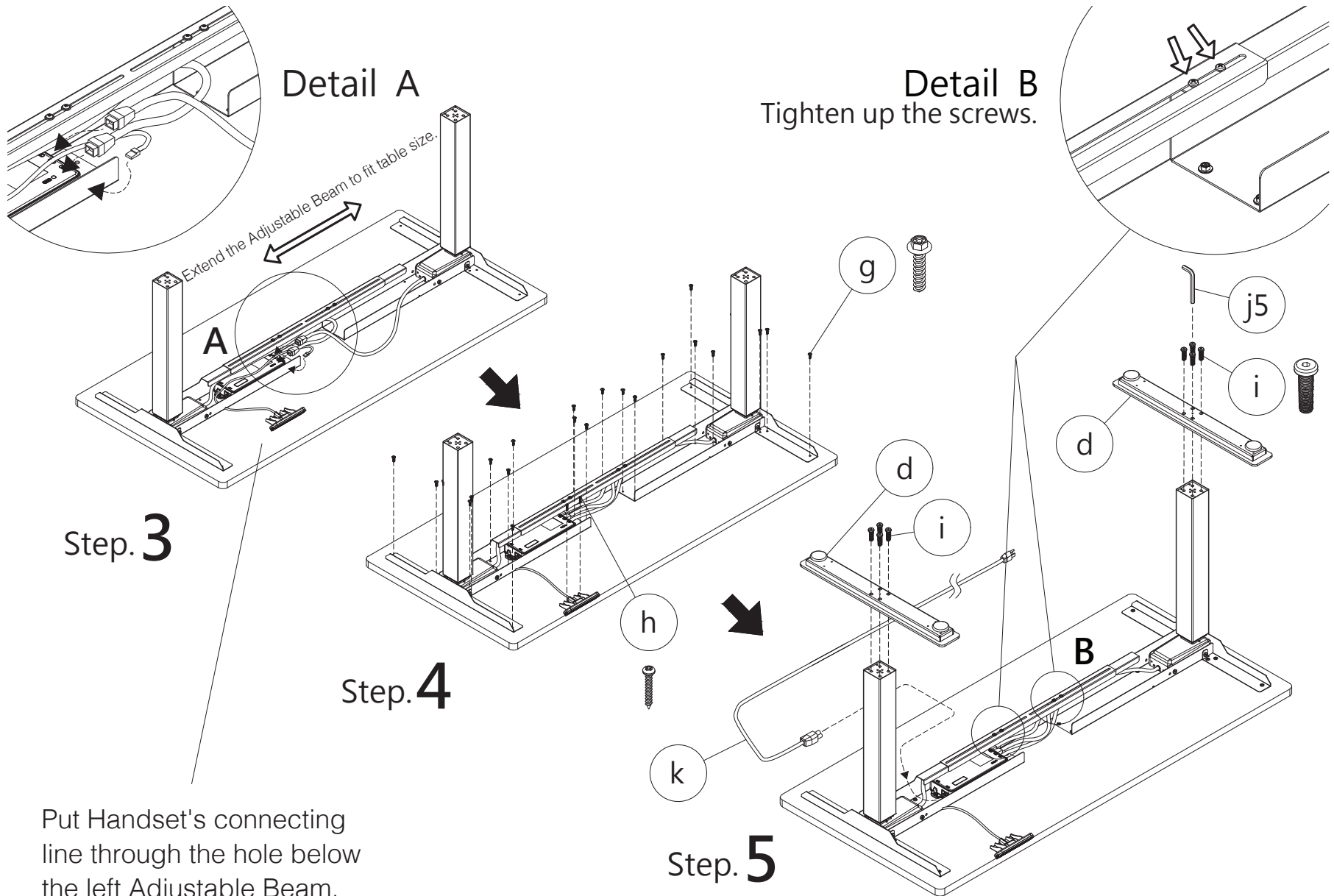
If any parts are missing, broken, damaged or worn, stop use of product until repairs have been made using factory authorized parts.

Failure to follow these warnings may result in injury.

Parts List			
No.	Name	Drawing	QTY
a	Adjustable Beam		1
b	Column		2
c	Side Support		2
d	Feet		8
e	Handset		1
f	Screw M6x10		8
g	Screw M5x22		24
h	Screw 3x19		2
i	Screw 10x35		8
j4	Allen Key 4		1
j5	Allen Key 5		1
k	Power Cable		1

Place the Table Leg Frame on the bottom side of the table top.



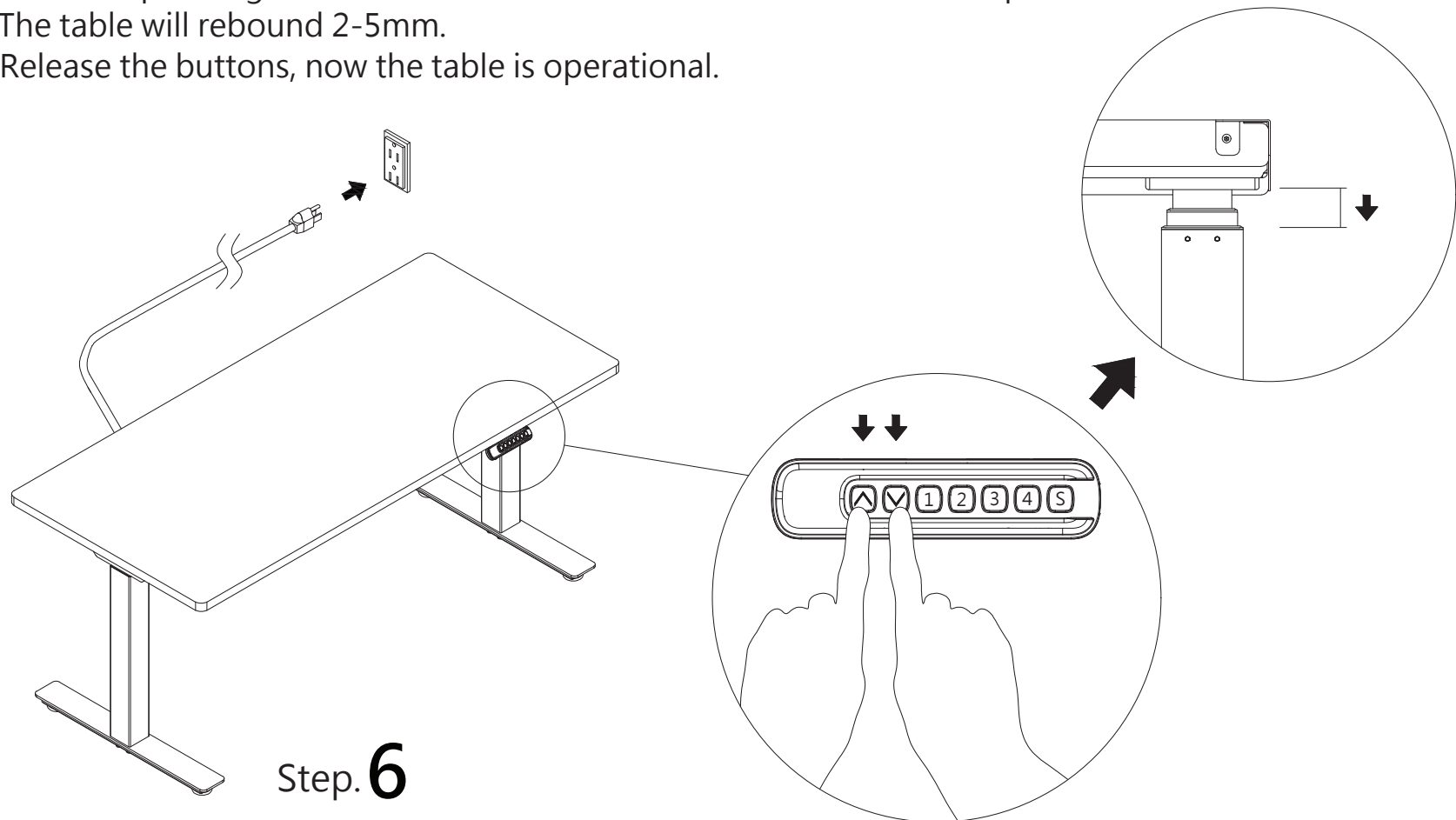


Put Handset's connecting line through the hole below the left Adjustable Beam.

※ Important ※

Reset the table before use :

1. Press and hold ^ & ∨ for more than 3 seconds.
2. Continue pressing both buttons until both columns are in the lowest position.
3. The table will rebound 2-5mm.
4. Release the buttons, now the table is operational.



Step. **6**