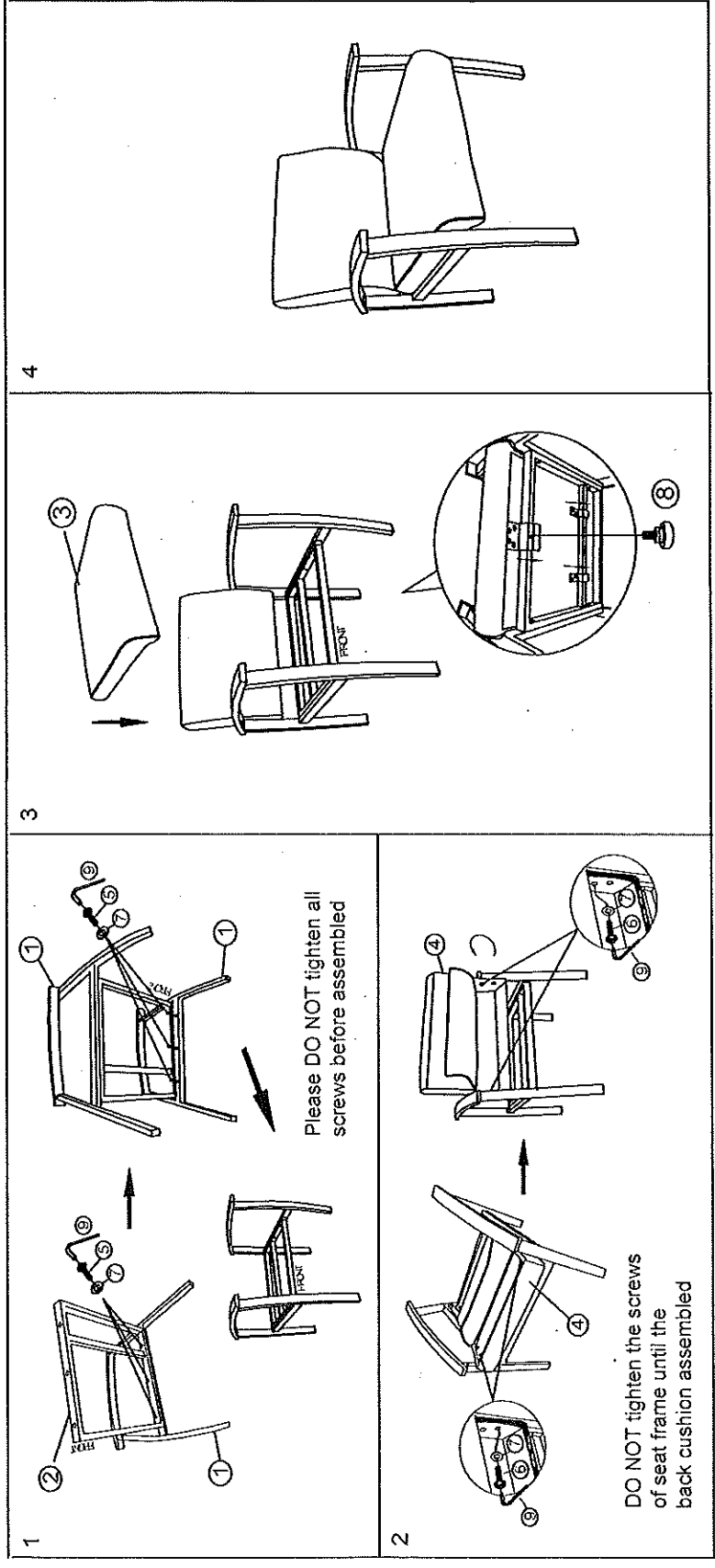


Before assembly, please remove all the screws and all parts from the carton, verifying that you have the correct quantities and read all the instructions.
INSTRUCTIONS:



IN THE CARTON:

① PAIR OF FULL STARTER ARMS	② STEEL FRAME	③ SEAT CUSHION	④ BACK CUSHION	⑤ SCREW	⑥ SCREW	⑦ WASHER	⑧ SCREW	⑨ ALLEN KEY
1 PC	1 PC	1 PC	1 PC	5/16"×1-1/4"	5/16"×1-1/2"	φ22×φ10×2MMT	M6×10	
1 PC	1 PC	1 PC	1 PC	6 PCS	4 PCS	10 PCS	1 PC	1 PC

▲ ATTENTION
Do not tighten any screws or bolts until the unit is completely assembled. Ensure all bolts and screws are tightened before using, check bolts and screws every 6 months. If any parts are missing, broken, damaged or worn, stop use of product until repairs have been made using factory authorized parts. Failure to follow these warnings may result in injury.

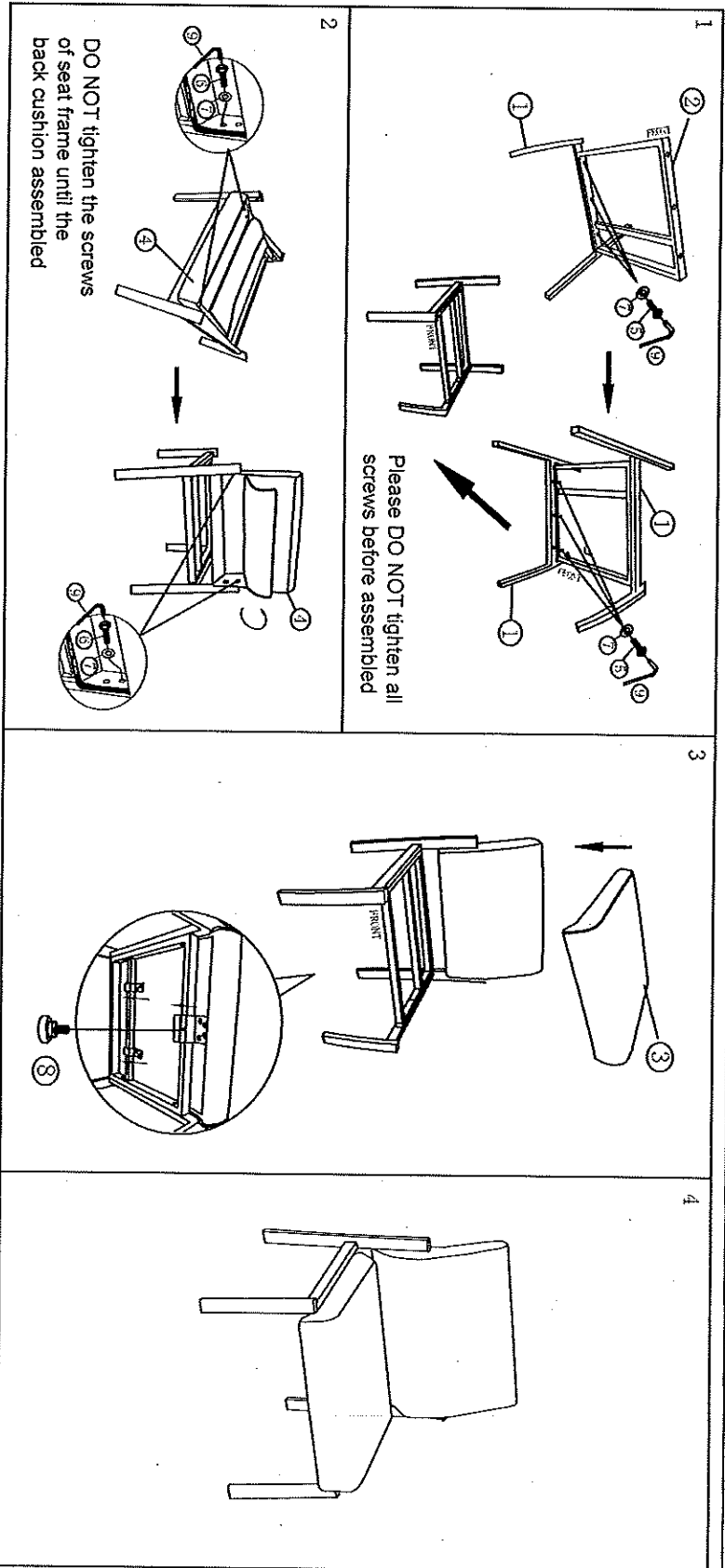
ASSEMBLY INSTRUCTIONS

MODEL: 32601 With 326POHASIL



Before assembly, please remove all the screws and all parts from the carton, verifying that you have the correct quantities and read all the instructions.

INSTRUCTIONS:



IN THE CARTON:

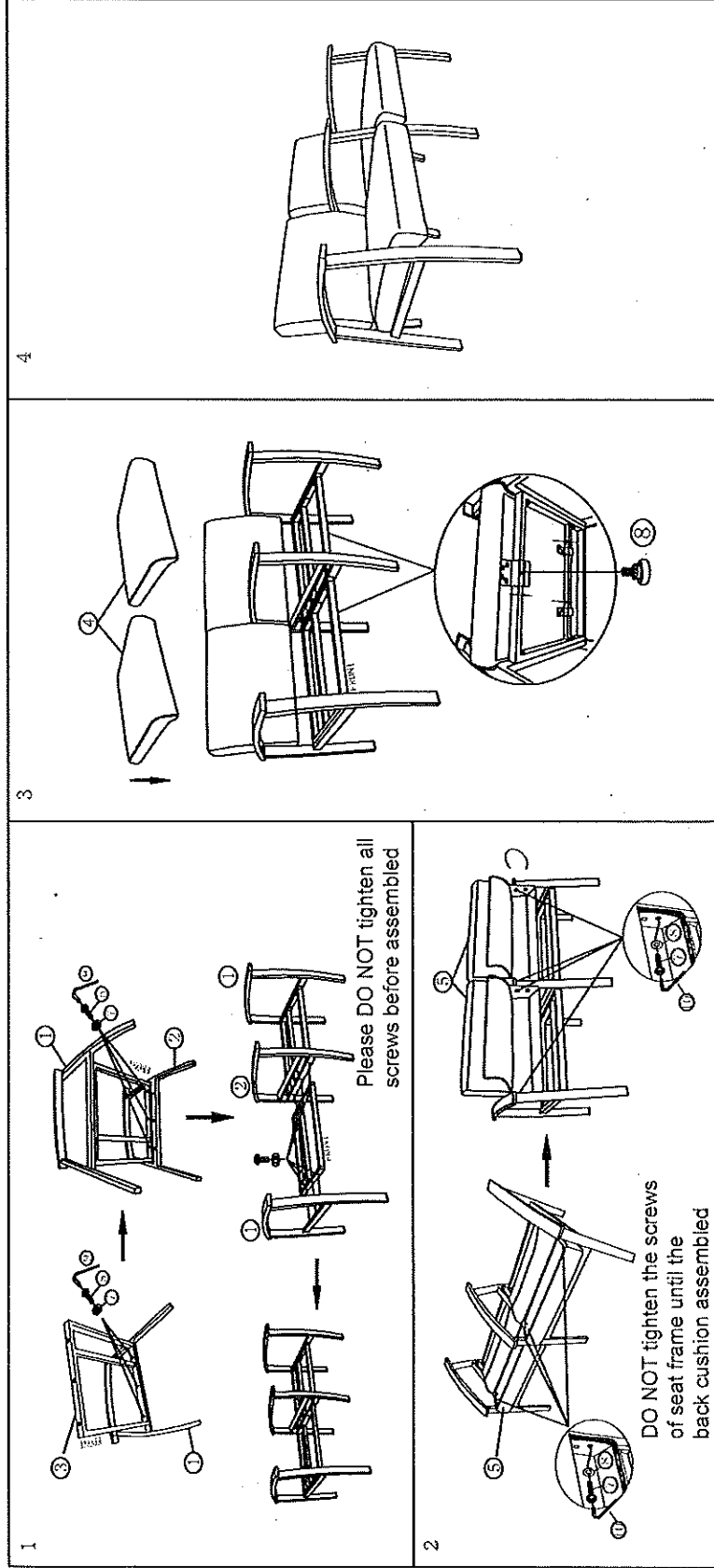
① PAIR OF HALF STARTER ARMS	② STEEL FRAME	③ SEAT CUSHION	④ BACK CUSHION	⑤ SCREW 5/16"×1-1/4"	⑥ SCREW 5/16"×1-1/2"	⑦ WASHER φ22×φ10×2MM	⑧ SCREW M6×10	⑨ ALLEN KEY
1 PC	1 PC	1 PC	1 PC	6 PCS	4 PCS	10 PCS	1 PC	1 PC

ATTENTION

Do not tighten any screws or bolts until the unit is completely assembled.
 Ensure all bolts and screws are tightened before using, check bolts and screws every 6 months.
 If any parts are missing, broken, damaged or worn, stop use of product until repairs have been made using factory authorized parts.
 Failure to follow these warnings may result in injury.

**ASSEMBLY INSTRUCTIONS
MODEL: 32601 With 326SSFASIL**

Before assembly, please remove all the screws and all parts from the carton, verifying that you have the correct quantities and read all the instructions.
INSTRUCTIONS:



IN THE CARTON:

①	PAIR OF FULL STARTER ARMS	②	STEEL FRAME	③	SEAT CUSHION	④	BACK CUSHION	⑤	SCREW	5/16" * 1-1/4"	⑥	SCREW	5/16" * 1-1/2"	⑦	WASHER	⑧	SCREW	⑨	ALLEN KEY	⑩	SINGLE SHARRED FULL ARM
	1 PC	2 PCS	2 PCS	2 PCS	12 PCS	8 PCS	20 PCS	2 PCS	1 PC	1 PC											

ATTENTION
Do not tighten any screws or bolts until the unit is completely assembled.
Ensure all bolts and screws are tightened before using. Check bolts and screws every 6 months.
If any parts are missing, broken, damaged or worn, stop use of product until repairs have been made using factory authorized parts.
Failure to follow these warnings may result in injury.

ASSEMBLY INSTRUCTIONS MODEL: 32601 With 326SSHASIL



Before assembly, please remove all the screws and all parts from the carton, verifying that you have the correct quantities and read all the instructions.
INSTRUCTIONS:

1

DO NOT tighten the screws of seat frame until the back cushion assembled

3

Please DO NOT tighten all screws before assembled

2

DO NOT tighten the screws of seat frame until the back cushion assembled

4

IN THE CARTON:

1 PC	2 PCS	2 PCS	2 PCS	12 PCS	8 PCS	20 PCS	2 PCS	1 PC	1 PC

ATTENTION:
Do not tighten any screws or bolts until the unit is completely assembled.
Ensure all bolts and screws are tightened before using, check bolts and screws every 6 months.
If any parts are missing, broken, damaged or worn, stop use of product until repairs have been made using factory authorized parts.
Failure to follow these warnings may result in injury.