








ASSEMBLY INSTRUCTIONS

Thanks you for purchasing this quality product. Be sure to lay all components on a soft and clean surface before assembly in order to avoid components from being scratched.

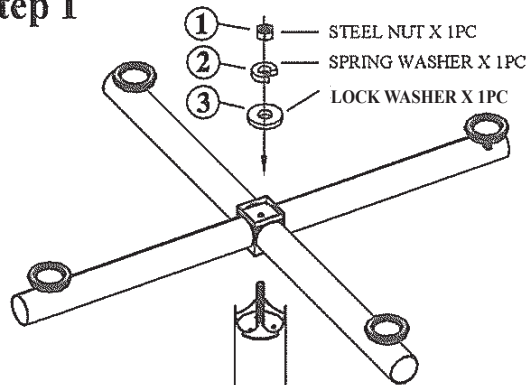
CAUTIONS :

1. Check contents against diagram for quantity.
2. Familiarize yourself with the components and hardware by reviewing the assembly instructions.
3. Do not over tighten the screws and bolts as it may damage the threads.
4. Keep all hardware parts out of the reach of children.

LEG PARTS LIST

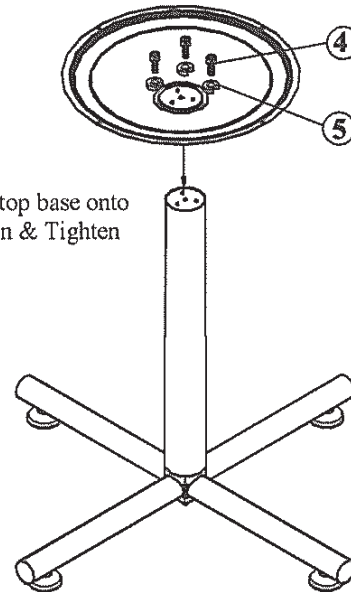
1		Steel Nut $\varnothing \frac{3}{8}$ "	1 pc
2		$\varnothing \frac{3}{8}$ " Spring Washer	1 pc
3		Lock Washer	1 pc
4		Allen Cap Screw $\varnothing M/8 \times 25$	3 pcs
5		$\varnothing M8$ Spring Washer	3 pcs
6		Wood Screw	4 pcs
7		Allen Key	1 pc

Step 1



Place the cross base onto the column & Tighten all nuts & washer

Step 2



Place the top base onto the column & Tighten all nuts.

Step 3

Mount base to table. Please note, there will be nopr-drilled holes on to the table top. Center the base on the underside of the table top , and attach using the included.

