

# Assembly Instructions for Desk Mount Brackets

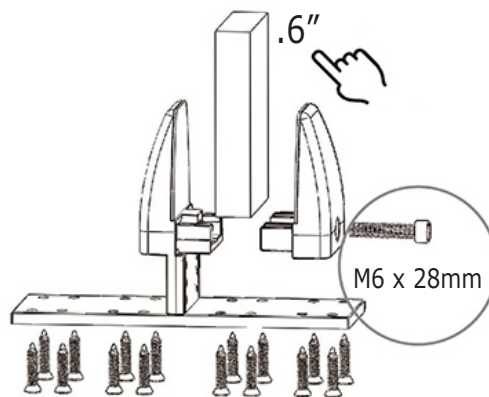
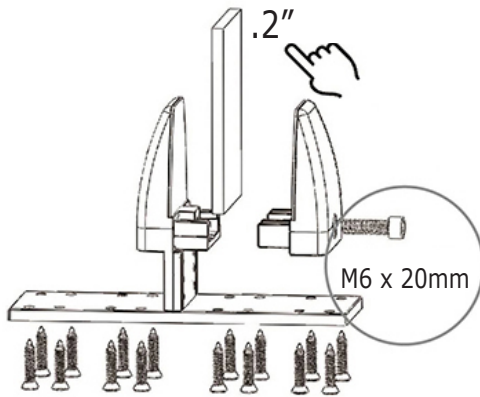
For Acrylic Panels (PLTAP) use the shorter bolt (M6 x 20mm) and discard longer bolt.

For Fabric Panels (PLTFP) use the longer bolt (M6 x 28mm) and discard shorter bolt.

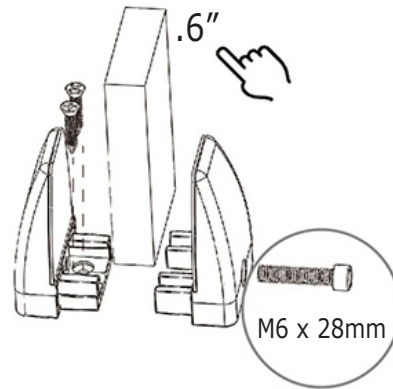
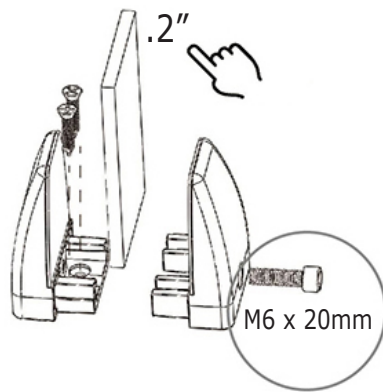
## Acrylic Panel (PLTAP)

## Fabric Panel (PLTFP)

### PLTSBUDMDUALSI



### PLTSDTMSI



### PLTSBUDMSGLSI

