




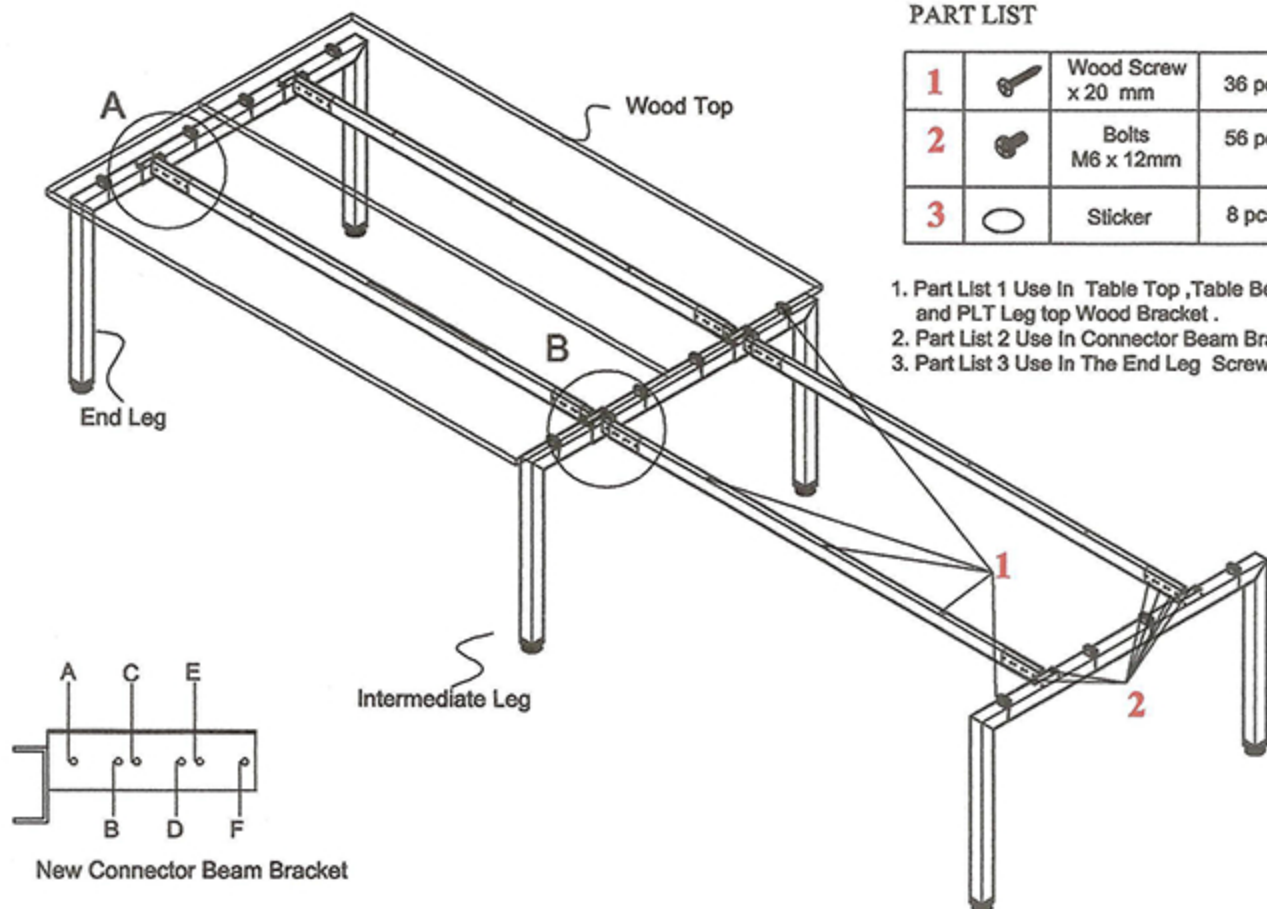
PLT LEG - U - 48 / 60

PLT LEG - U - 48 / 60

PART LIST

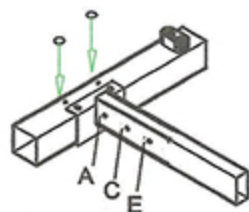
1		Wood Screw x 20 mm	36 pcs
2		Bolts M6 x 12mm	56 pcs
3		Slicker	8 pcs

1. Part List 1 Use In Table Top ,Table Beam and PLT Leg top Wood Bracket .
2. Part List 2 Use In Connector Beam Bracket .
3. Part List 3 Use In The End Leg Screw Hole .



A. USE PART LIST ITEM 2

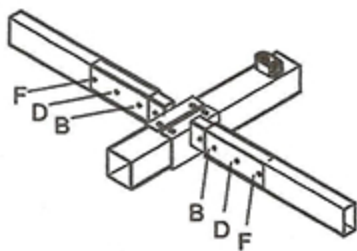
END LEG CONNECTION



- Please Use A , C And E Hole .
- Stick In The End Leg Screw Hole .

B. USE PART LIST ITEM 2

INTERMEDIATE LEG CONNECTION



- Please Use B , D And F Hole .