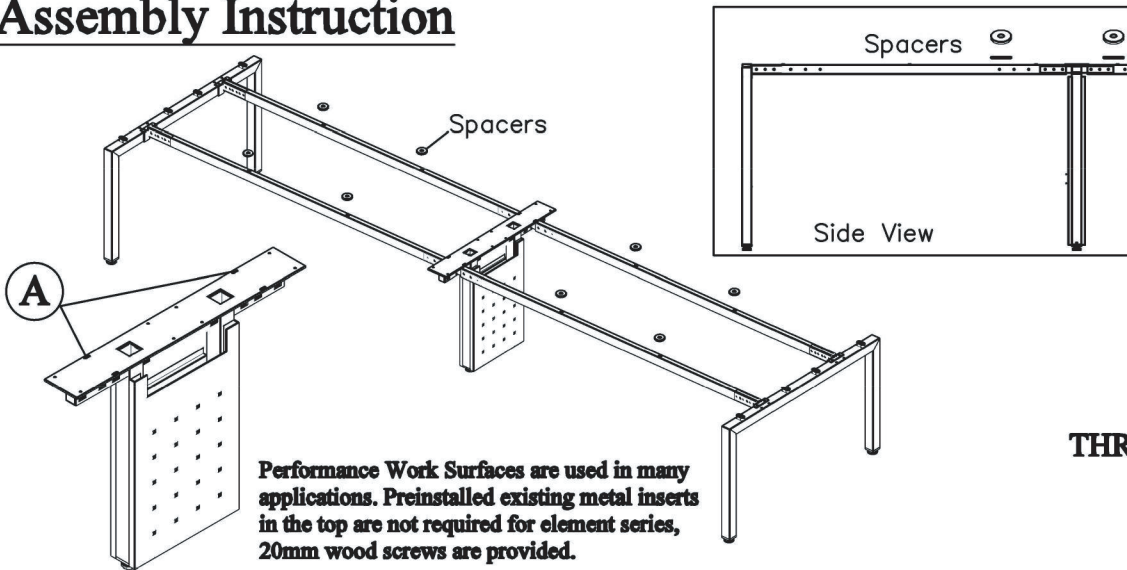


Assembly Instruction



LEG PARTS LIST

1		Bolts - 1/2 "	4 pcs
2		Allen Key	1 pc
3		Set Screw	4 pcs
4		Spacers	4 pcs
5		Wood Screw x 20 mm	14 pcs

THROUGH BEAM PARTS LIST

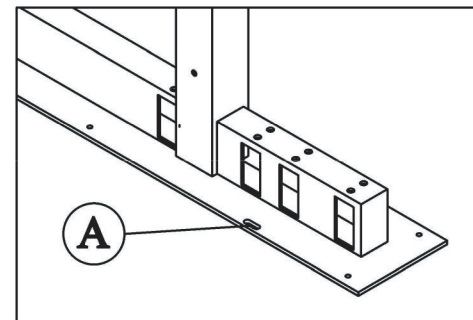
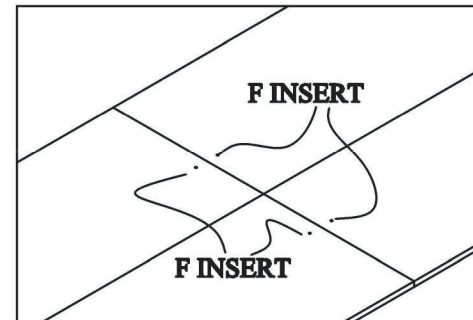
6		Bolts - 5/8 "	6 pcs
----------	--	---------------	-------

Performance Work Surfaces are used in many applications. Preinstalled existing metal inserts in the top are not required for element series, 20mm wood screws are provided.

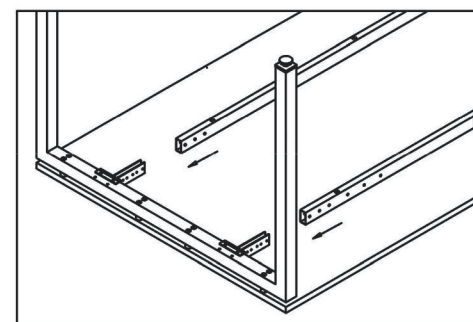
*TWO PEOPLE ARE REQUIRED FOR ASSEMBLY

Please Note: When attaching the metal legs to the laminate tops, not all of the provided holes on these metal legs will line up with the metal inserts on the laminate tops. The provided wood screws may also need to be used

1. Place two table tops upside down on a clean surface.
2. PLT table tops are used for several application. "F" insert per top is used for the PLT LEG-U-4860 ILCMB as per the PLT instructions.
3. Place leg over tops and insert bolt (part 1) through hole "A" in legs and into "F" inserts.



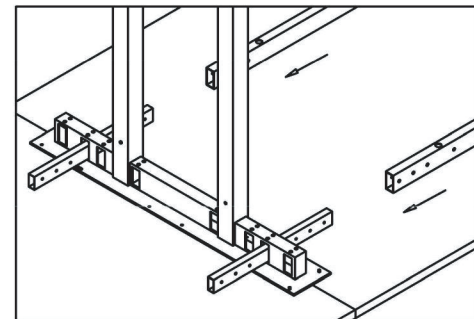
4. Slide cross beam over both tabs on leg.



Assembly Instruction Cont.....

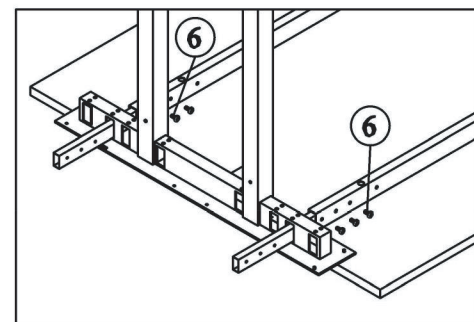
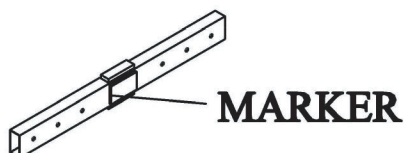
5. Fasten the second leg to the top following step 3 but using hole "A" in the leg. The top should be positioned in the center of the leg.

6. Remove pre-installed end caps from the second leg, inserts through beam connectors, through leg openings and into cross beam.



7. Inserts bolts (part 6) through beams into beam connector.

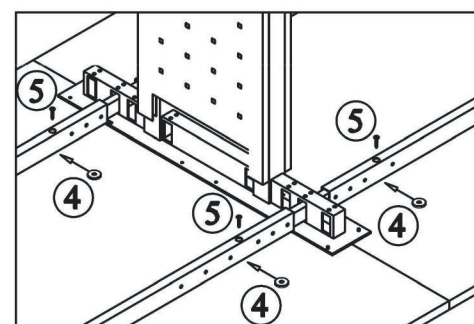
8. Adjust cross beam so the through beam connector marker is centered in the second leg.



9. Inserts spacers (part 4) under the cross beam. Use wood screws (part 5) to attach the beam to table top.

NOTE: The wood screw pack is inside the beam.

Flip table top to correct position.



- DO not tighten any screw or bolt until the unit is completely assembled.
- Ensure all bolts and screws are tightened before using the product, check bolts and screws every 6 months.
- If any parts are missing, broken, damaged or worn, stop use of product until repairs have been made using factory authorized parts.
- Failure to follow these warnings may result in injury.