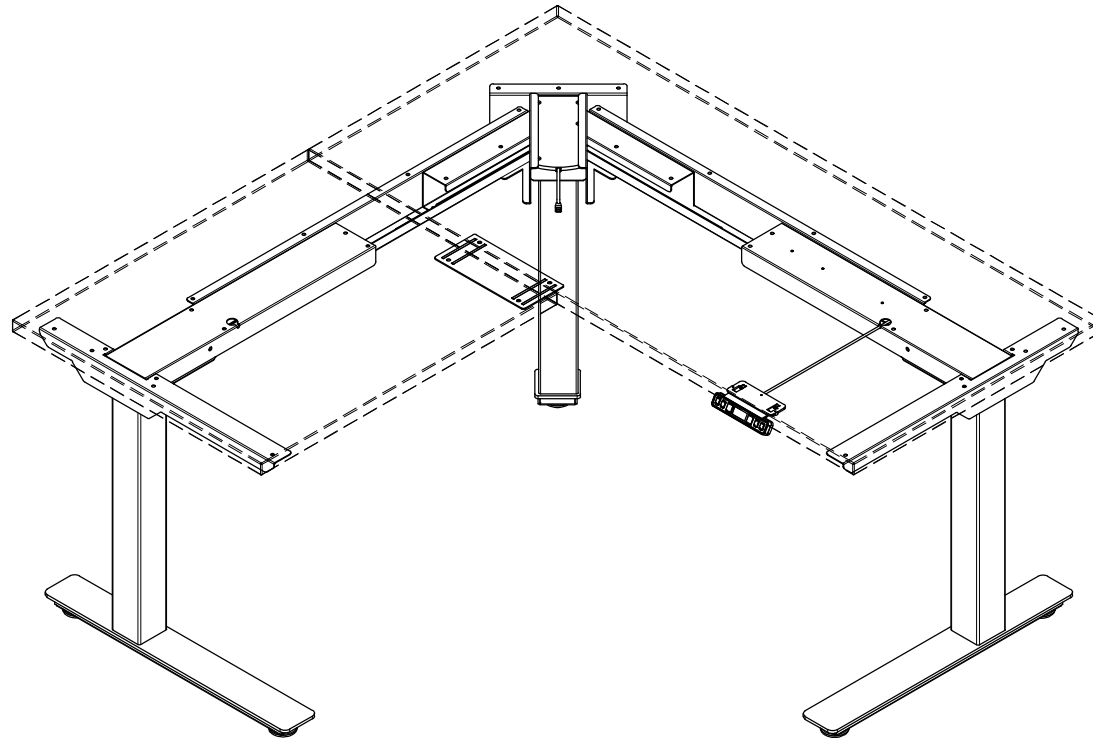



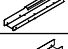


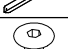
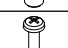
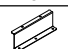






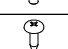

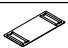

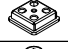


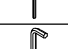

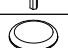


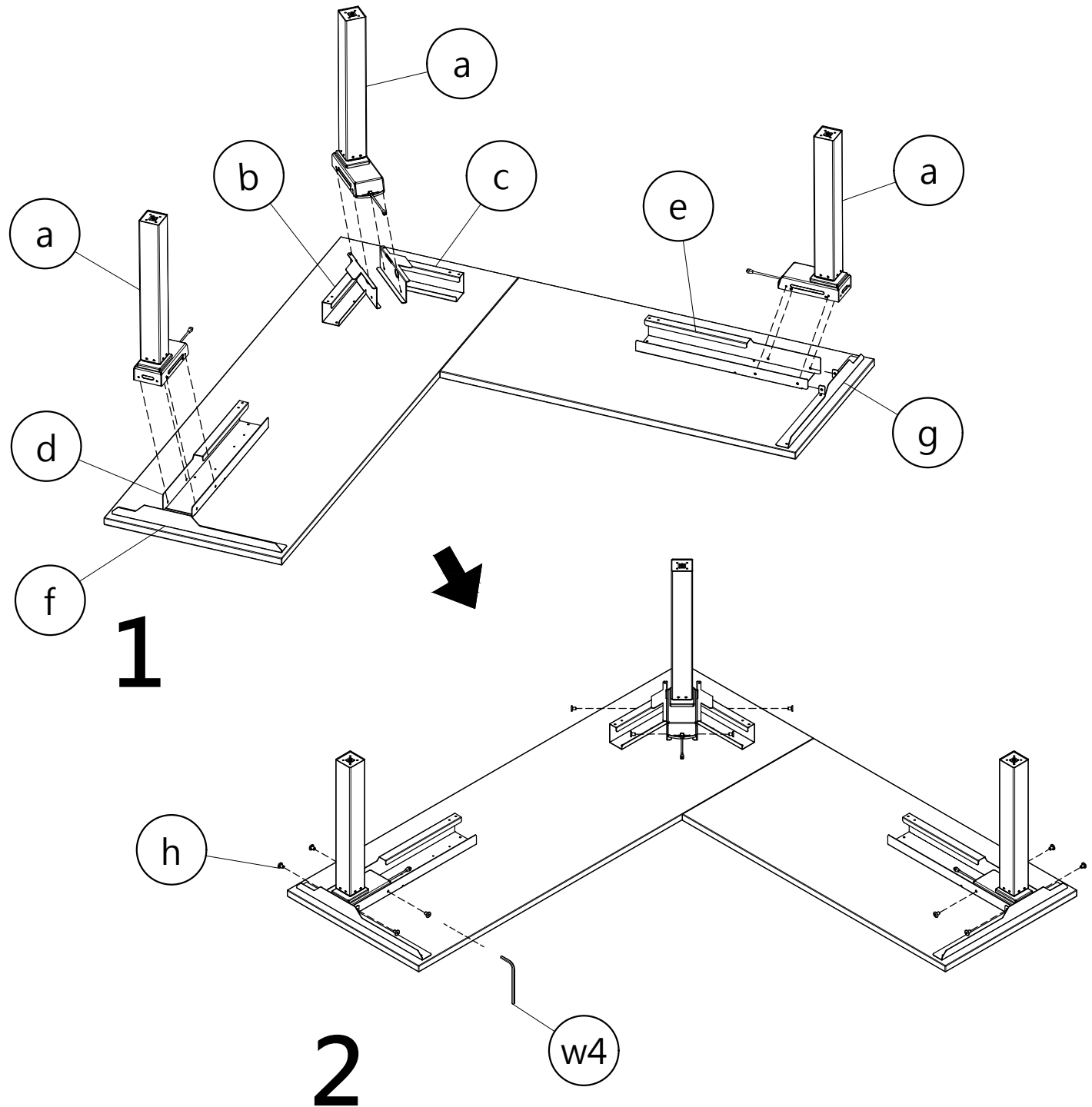


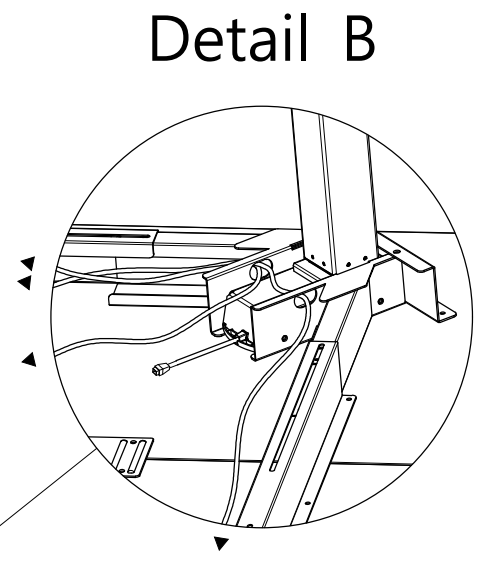
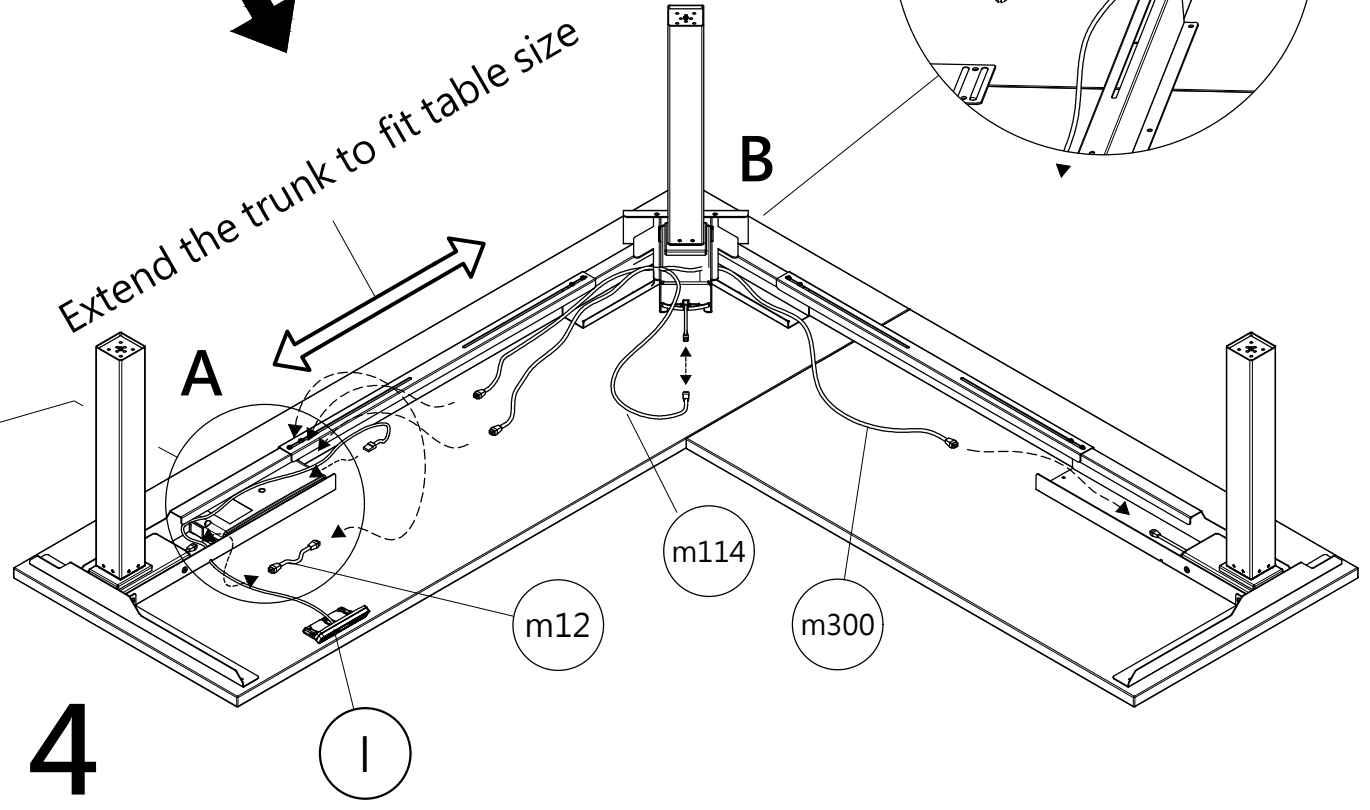
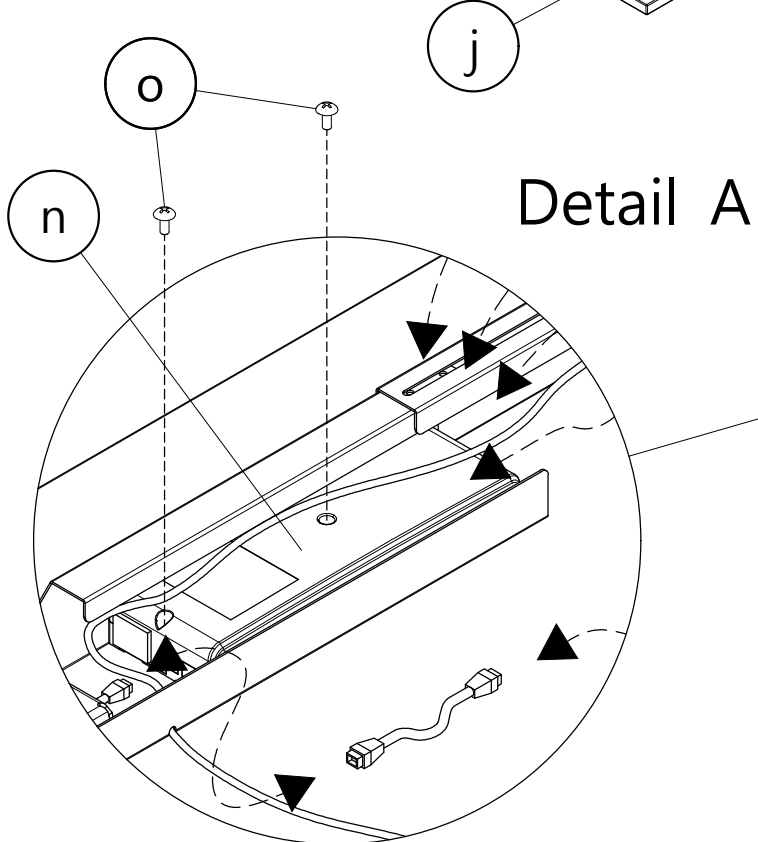
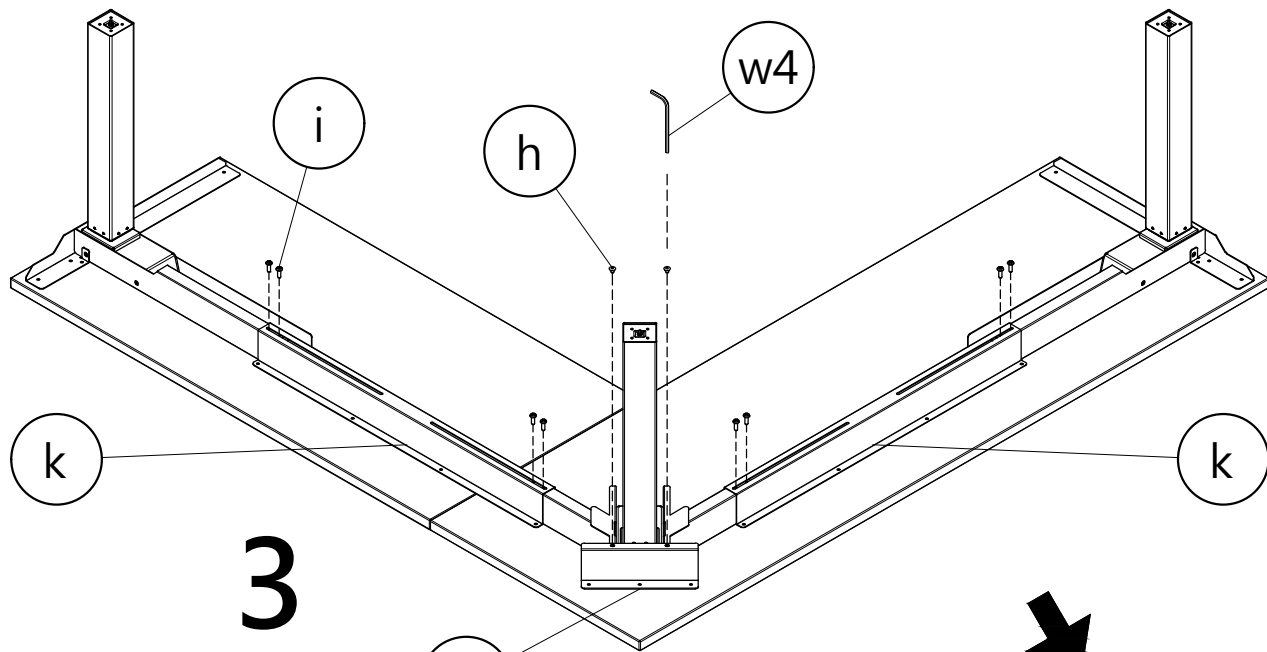
ASSEMBLY INSTRUCTIONS

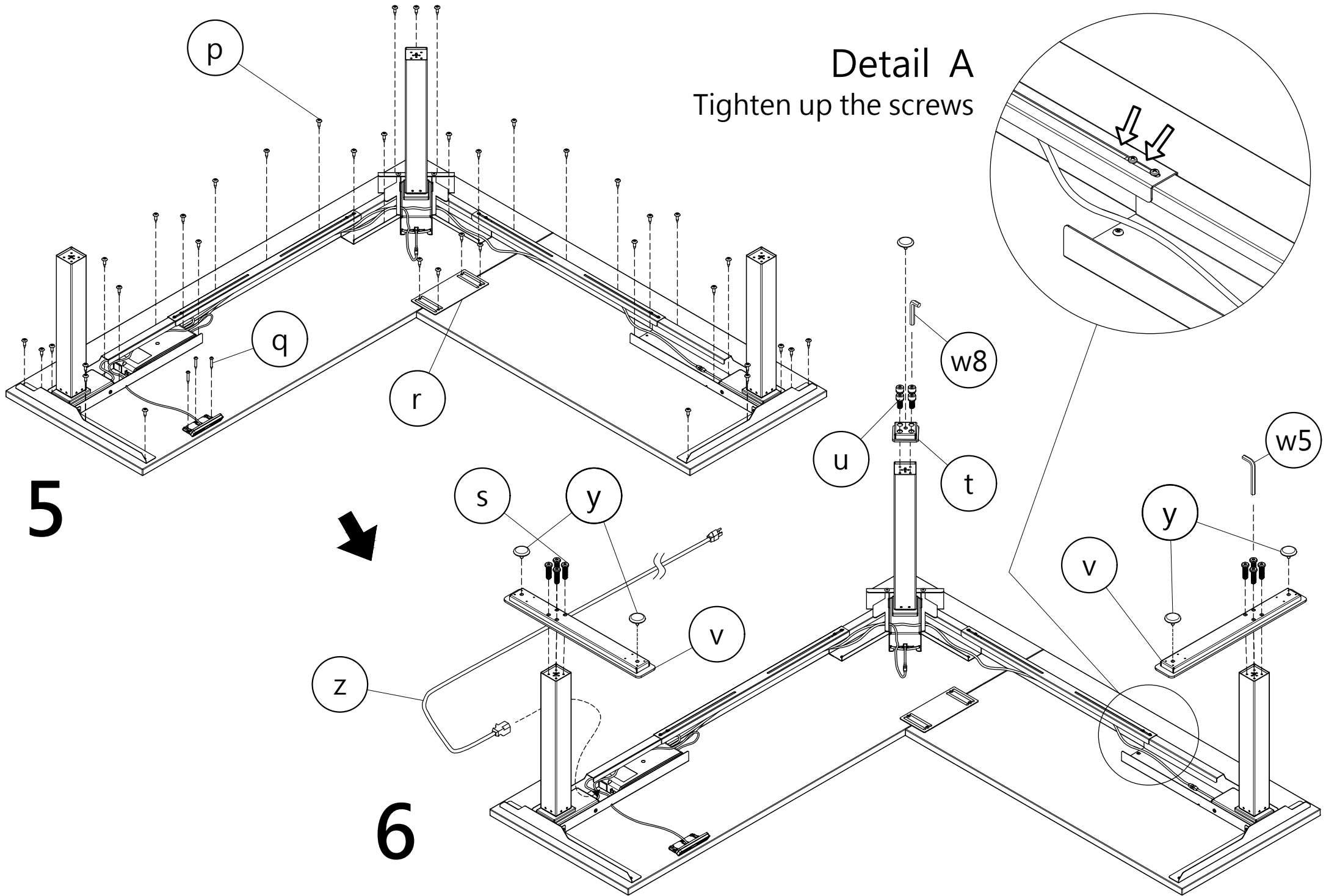


Part Lists

No.	Name	Drawing	QTY
a	Column		3
b	Center Post Bracket (Right)		1
c	Center Post Bracket (Left)		1
d	Right Trunk		1
e	Left Trunk		1
f	Side Support (Right)		1
g	Side Support (Left)		1
h	Screw M6x10		14
i	Screw M5x6		8
j	Center Post Bracket (Rear)		1
k	Inner Trunk		2
l	Handset		1
m12	Extension Cable 12cm		1
m114	Extension Cable 114cm		1
m300	Extension Cable 300cm		1
n	Controller		1
o	Screw 4x10		2
p	Screw 5x20		39
q	Screw 3x20		3
r	Desk Top Support Bracket		1
s	Screw M10x35		8
t	Center Post Base		1
u	Screw M10x10		4
v	Feet		2
w4	Allen Key 4		1
w5	Allen Key 5		1
w8	Allen Key 8		1
y	Glide		5
z	Power Cable		1







※ Important ※

Reset the table before use :

1. Press and hold ^ & v for more than 3 seconds
2. Continue pressing both buttons until both columns are in the lowest position
3. The table will rebound 2-5mm
4. Release the buttons, now the table is operational

