
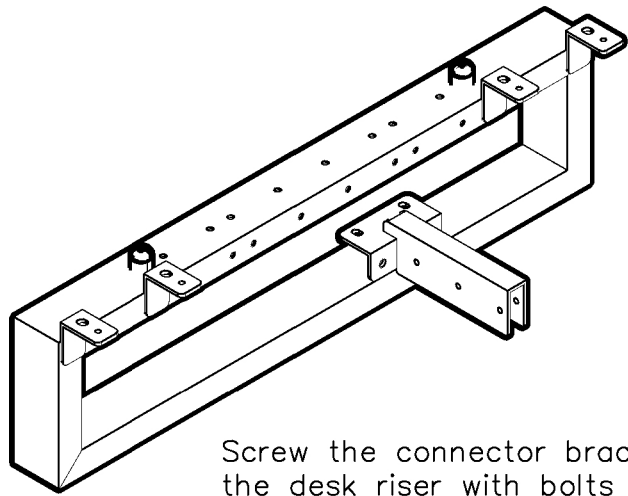


ASSEMBLY INSTRUCTION

DESK RISER - PLTDR2430-A1

PARTS LIST-DESK RISER

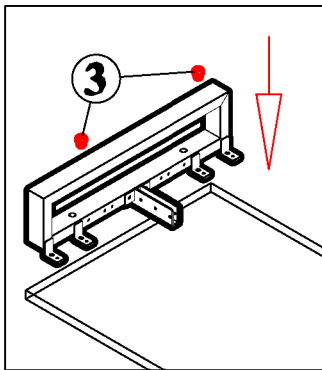
1		Wood Screw x20mm	4 pcs
2		Double Sided Foam Tape	1 pc
3		Bolts M6 x 16mm	6 pcs
4		Connector Bracket	1 pc



Screw the connector bracket to the desk riser with bolts M6 X 16mm (part 3).

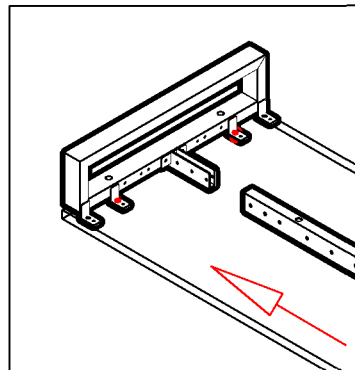
Performance Work Surfaces are used in many applications. Pre-installed existing metal inserts in the top are not required. For the Element series, 20mm wood screw are provided.

Step 1

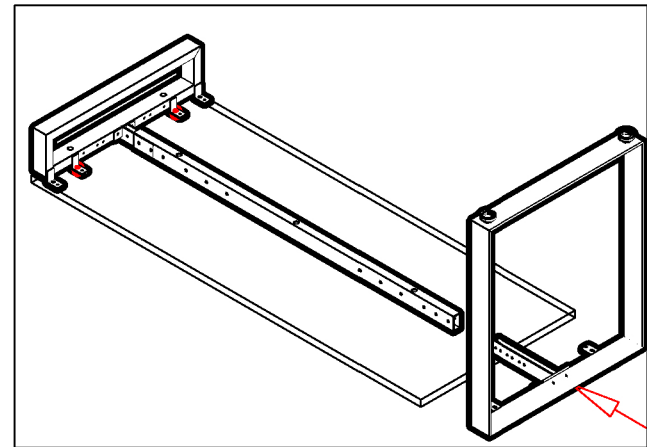


Screw the desk riser to the table top with bolts M6 X 16mm (part 3). Then, slide in the beam.

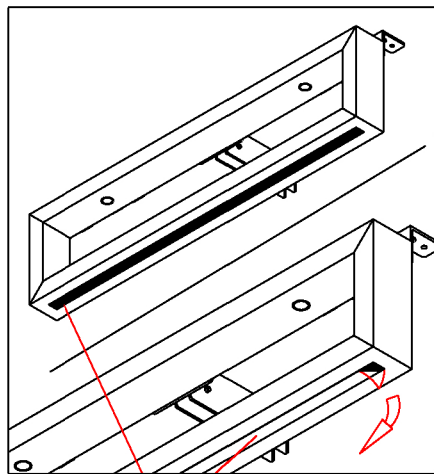
Step 2



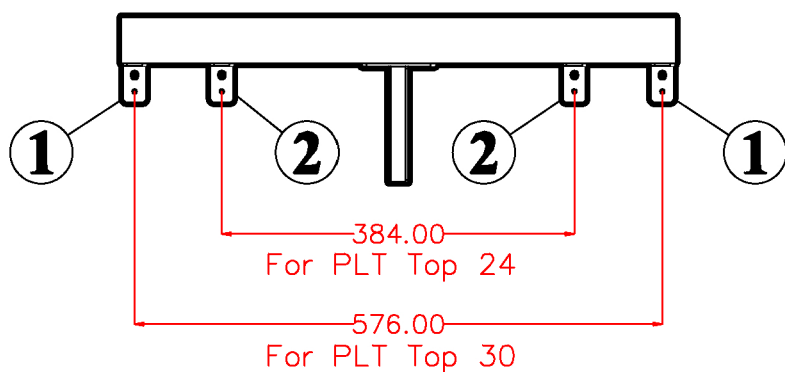
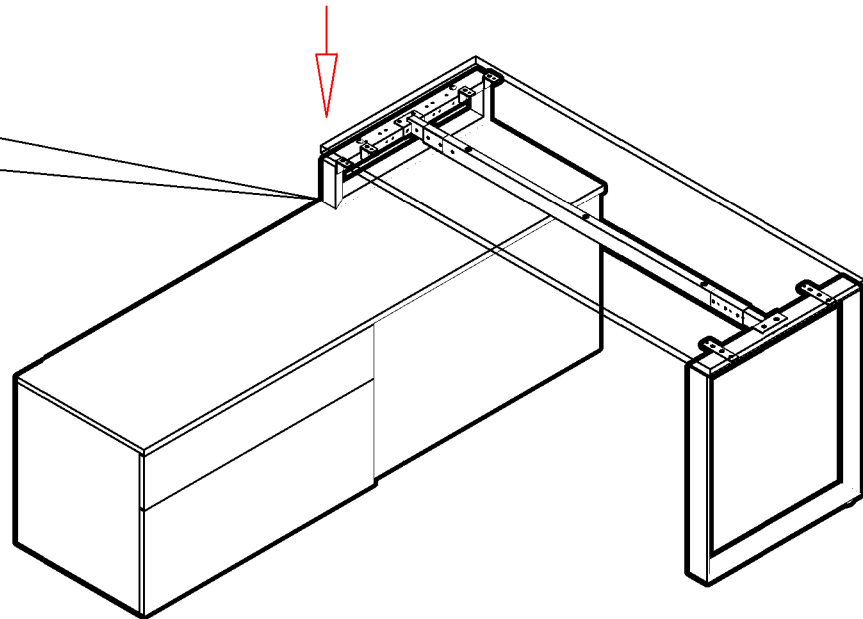
Step 3



Slide in table leg to the other end of the beam.



Remove double sided foam tape protective layer and place to the correct position.



1. For PLT top 24, use bracket number 2 to screw in bolts M6 X 16mm (part 3) and wood screws X 20mm (part 1).
2. For PLT top 30, use bracket number 1 to screw in bolts M6 X 16mm (part 3) and wood screws X 20mm (part 1).

IMPORTANT !!

- Place all wooden parts on a clean and smooth surface such as a rug or carpet to avoid the parts from being scratched
- Check that you have all parts and hardware.
- Remove all wrapping materials, including staples & packings straps before you start to assemble.
- Do not tighten any screws or bolt until the unit is completely assembled.
- Keep all hardware parts out of reach of children