

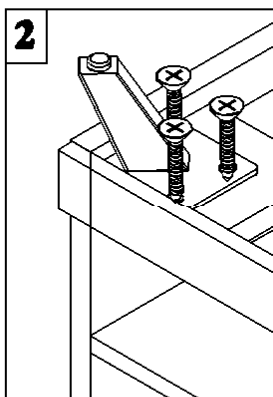
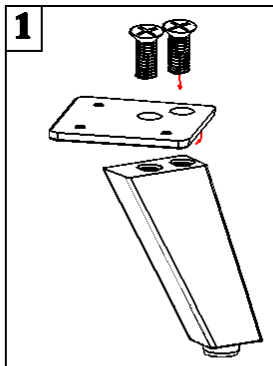
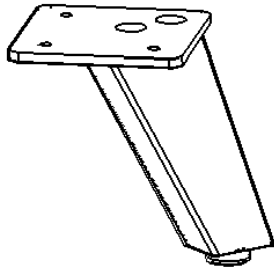
# ASSEMBLY INSTRUCTIONS

## MODEL: PLTAWRLEG

Before assembly, please remove all parts from the carton, verifying that you have the correct quantities, and read all the instructions.

### INSTRUCTIONS:

### IN THE CARTON:

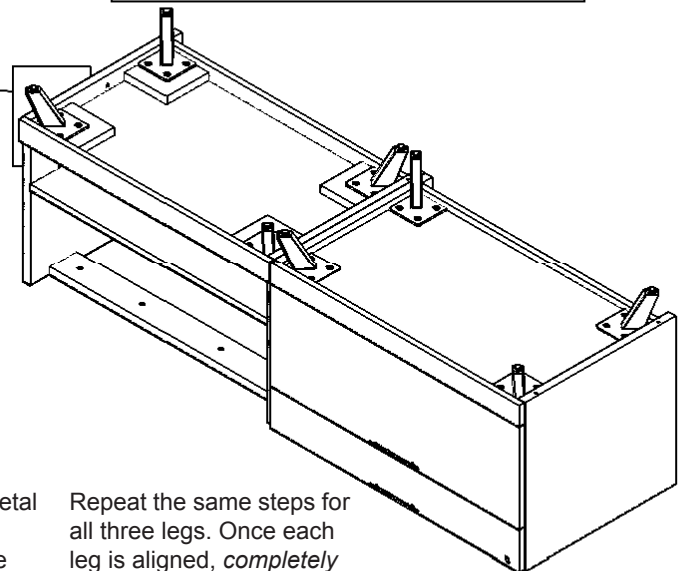
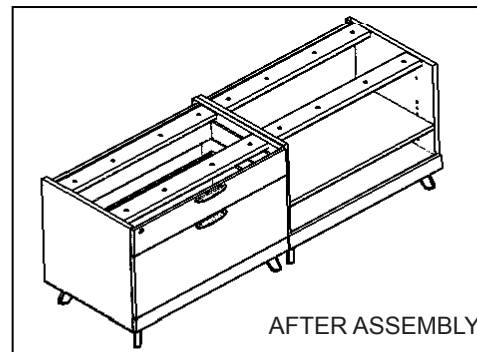


1. Attach the Angled Wood Leg (part A) and Metal Plate (part B) with M6x16mm bolt (part C).
2. Align one of the PLTAWRLEG (part B) at the corner of the cabinet. *Slightly* tighten the Wood Screws (part D).

Repeat the same steps for all three legs. Once each leg is aligned, *completely* tighten all of the Wood Screws (part D).

### Parts List

<b>A</b>		Angled Wood Leg	4 pcs
<b>B</b>		Metal Plate 4mmx80mmx80mm	4 pcs
<b>C</b>		Bolt M6x16mm	8 pcs
<b>D</b>		Wood Screw M4x20mm	12 pcs



### ⚠ ATTENTION ⚠

Do not tighten any screws or bolts until the unit is completely assembled.

Ensure all bolts and screws are tightened before using, check bolts and screws every 6 months.

If any parts are missing, broken, damaged or worn, stop use of product until repairs have been made using factory authorized parts.

Failure to follow these warnings may result in injury.