

# ASSEMBLY INSTRUCTIONS

## MODEL: PLCUBED2040

Before assembly, please remove all parts from the carton, verifying that you have the correct quantities, and read all the instructions.

### IN THE CARTON:

#### HARDWARE

1  Cam Lock 20 Pcs	2  Klix Cam 20 Pcs	3  Housing Cap (Short) 16 Pcs	4  Housing Cap (Long) 16 Pcs	5  Adjustable Glide 6 Pcs	6  M4 x 65 Allen-Key 1 Pc	7  6 Hole L-Bracket 4 Pcs	8  Screw #6 x 3/4 24 Pcs	9  0' Compo Door Hingers 1 Pair	10  Magnet Catches 2 Set	11  Screw #3.5 x 16mm 4 Pcs	12  Screw #3.5 x 12mm 4 Pcs	13  JCBC Screw M6 x 40mm = 8pcs Washer = 8pcs
-----------------------------	-----------------------------	--	---------------------------------------	------------------------------------	---------------------------------------	---------------------------------------	--------------------------------------	---	--------------------------------------	---	---	---

#### COMPONENTS

A  Support Rail Left & Right 2Pcs	B  Side Panel LEFT	C  Side Panel RIGHT	D  Back Panel	E  Center /Top Rail 3PCS	F  Bottom Rail	G  Door Panel
---	--------------------------	---------------------------	---------------------	-----------------------------------	----------------------	---------------------

#### KLIX CAM INSTRUCTIONS

**1**

Line up Cam Lock, turn clockwise.

**2**

Insert the cam with the arrow pointing towards the hole in the edge.

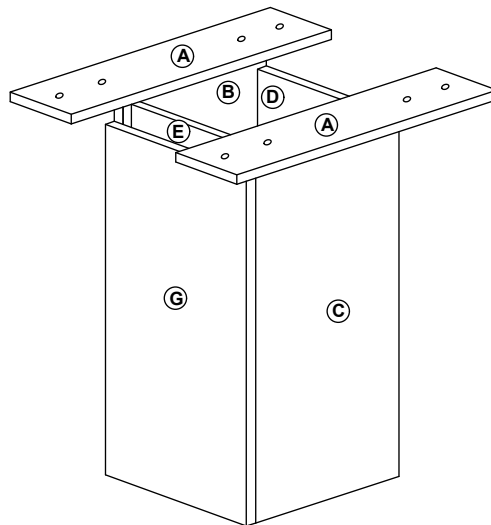
**3**

Insert the Cam Lock into Klix Cam. Turn Klix Cam to lock.

#### HINGES INSTRUCTIONS

**DETAIL x-x**

BACK VIEW  
ADJUST THIS SCREW FOR DOOR ALIGNMENT AFTER ASSEMBLY THE HINGES.



#### KLIX CAM INSTRUCTIONS

**1**

Line up Cam Lock, turn clockwise.

**2**

Insert the cam with the arrow pointing towards the hole in the edge.

**3**

Insert the Cam Lock into Klix Cam. Turn Klix Cam to lock.

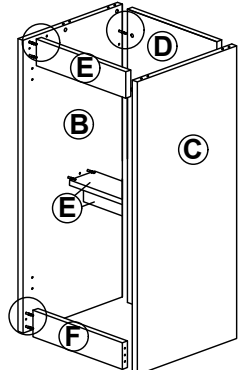
#### HINGES INSTRUCTIONS

**DETAIL x-x**

BACK VIEW  
ADJUST THIS SCREW FOR DOOR ALIGNMENT AFTER ASSEMBLY THE HINGES.

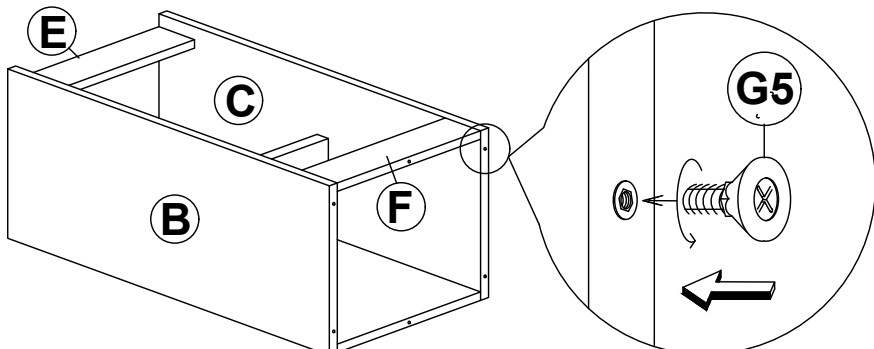
**INSTRUCTIONS:**

**1**



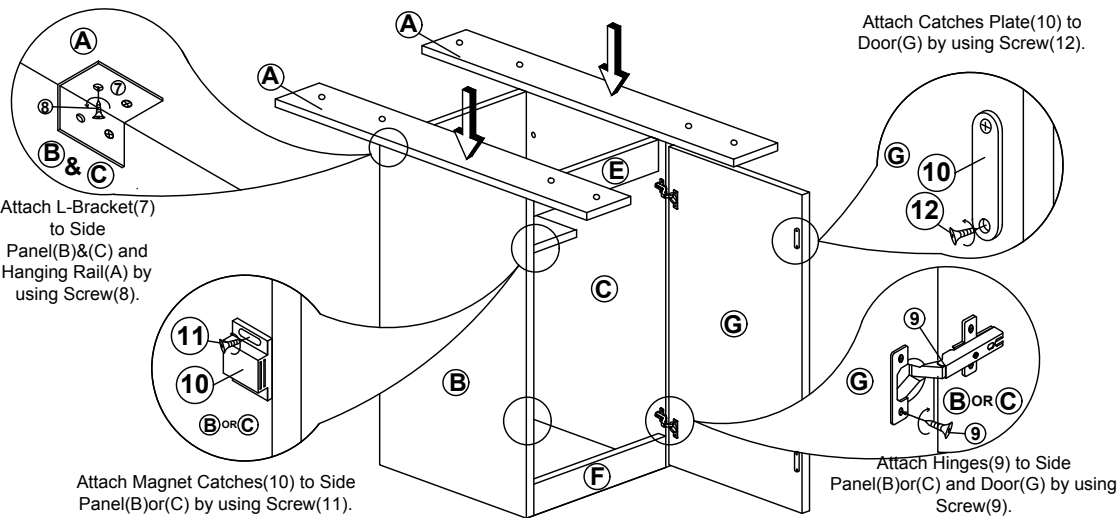
Assemble Cube Base by attaching Side Panels(B)&(C) to Back Panels(D), Top/Center rail(E) & Bottom Rail(F) with Cam Lock (1) and Klix Cam (2).

**2**



Screw Adjustable Glides (5) into bottom of Cube Base.

**3** Attach Cube Base Support (A) by using Cam Lock (1) and Klix Cam (2).



Attach L-Bracket(7) to Side Panel(B)&(C) and Hanging Rail(A) by using Screw(8).

Attach Magnet Catches(10) to Side Panel(B)or(C) by using Screw(11).

Attach Hinges(9) to Side Panel(B)or(C) and Door(G) by using Screw(9).

Attach Catches Plate(10) to Door(G) by using Screw(12).

**⚠ ATTENTION ⚠**

Place all wooden parts on a clean, smooth surface to prevent them from being scratched. Check to be sure that you have all parts and hardware. Remove all wrapping materials, including staples and packing straps before you start to assemble. Do not tighten all screws/bolts until all completely assembled. Keep all hardware parts out of reach of children. If any parts are missing, broken, damaged or worn, stop use of product until repairs have been made using factory authorized parts. Failure to follow these warnings may result in injury.