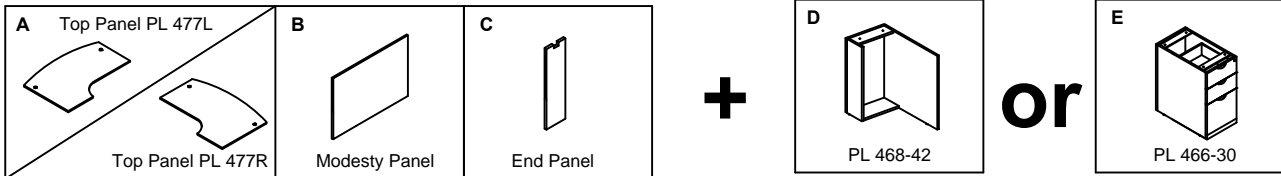
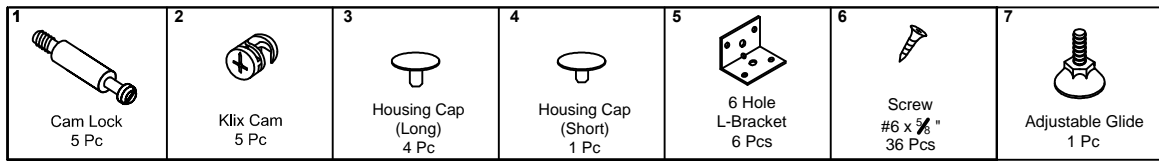
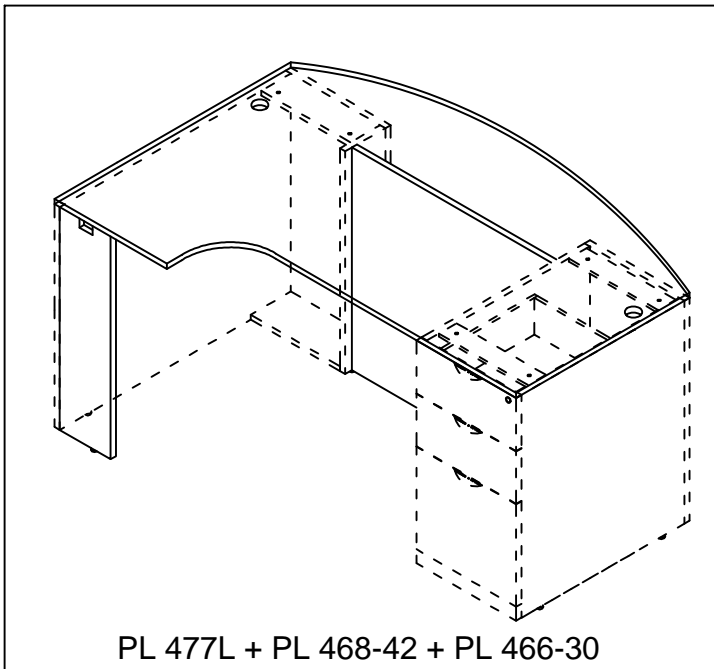
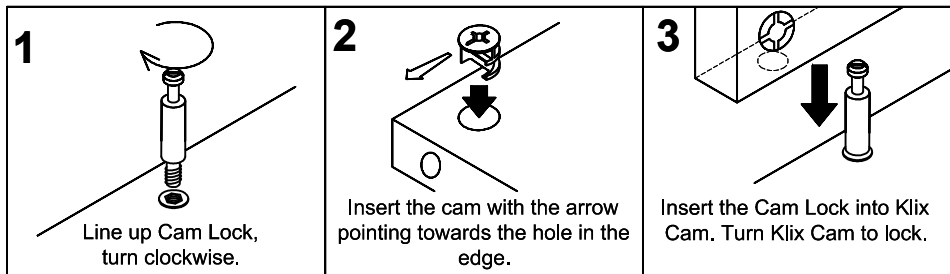


Thank you for purchasing the Performance Top & Modesty Panel.
Please follow these instructions for easy assembly.

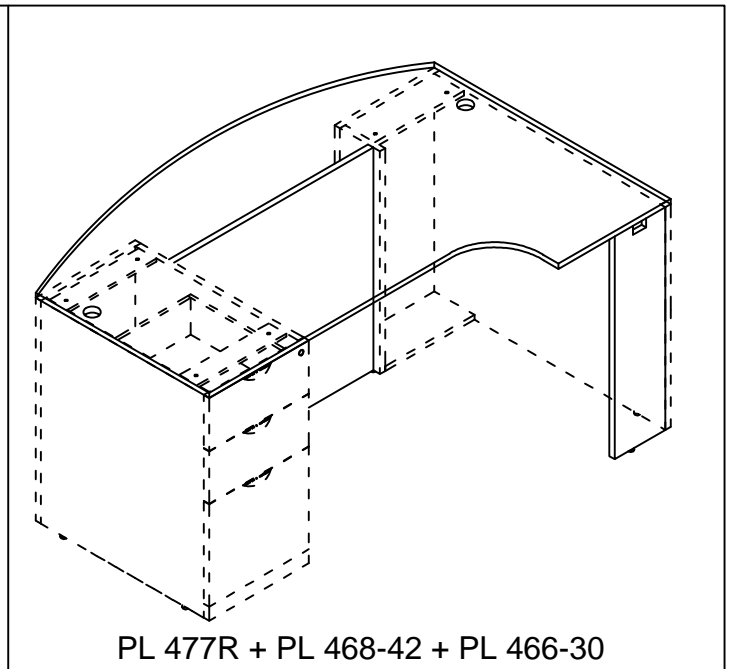


PL 477L/R

KLIX CAM INSTRUCTIONS



PL 477L + PL 468-42 + PL 466-30



PL 477R + PL 468-42 + PL 466-30

IMPORTANT !!

- Place all wooden parts on a clean and smooth surface such as a rug or carpet to avoid the parts from being scratched.
- Check that you have all parts and hardware.
- Remove all wrapping materials, including staples & packing straps before you start to assemble.
- Do not tighten any screws or bolts until the unit is completely assembled.
- Keep all hardware parts out of reach of children.