

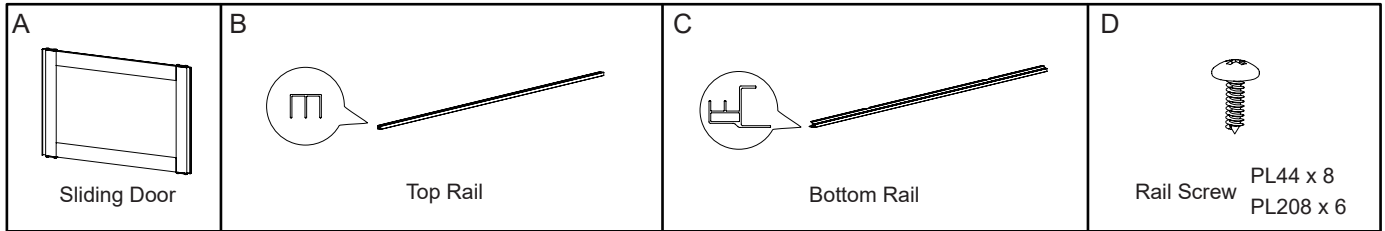
# ASSEMBLY INSTRUCTIONS

## MODEL: PL44SLIDESGD

PL sliding door - sold in set of 2

Before assembly, please remove all parts from the carton, verifying that you have the correct quantities, and read all the instructions.

### IN THE CARTON:

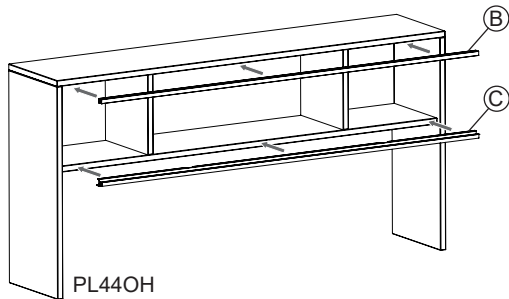


\*PL44OH OR PL208OH RAILS ARE SOLD SEPERATELY.

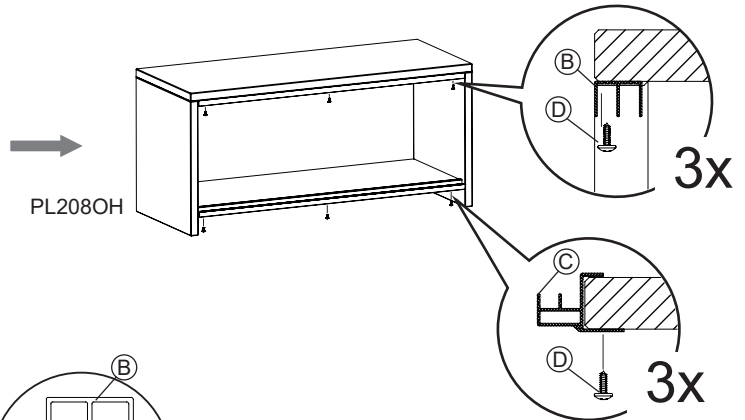
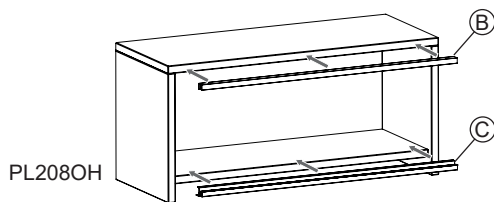
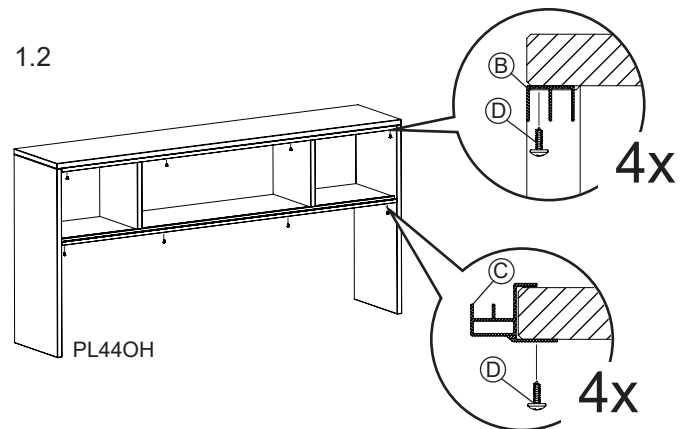
### INSTRUCTIONS:

#### 1. Rail Assembly

1.1

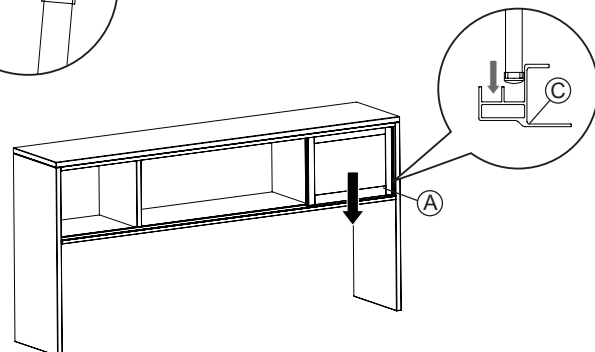
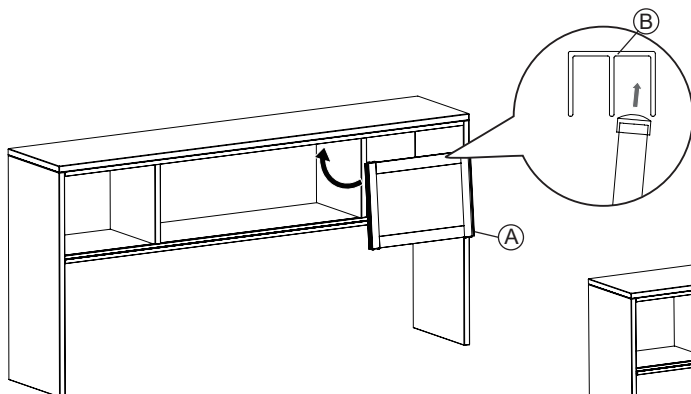


1.2



#### 2. Sliding Door Assembly

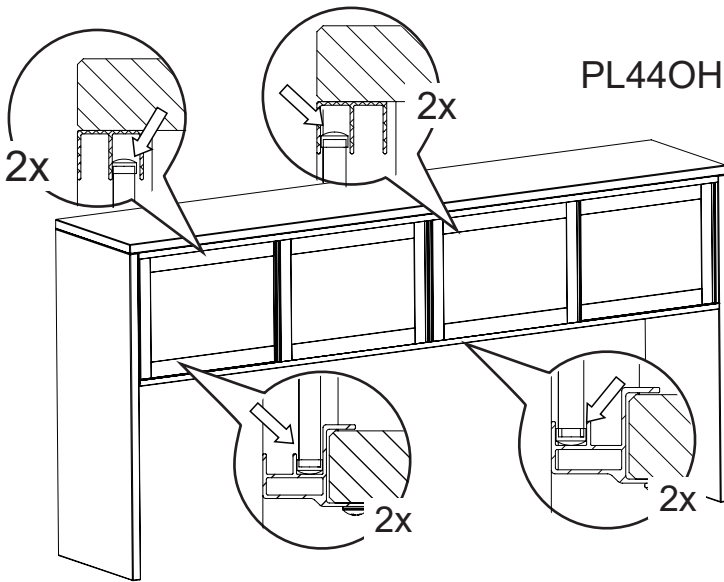
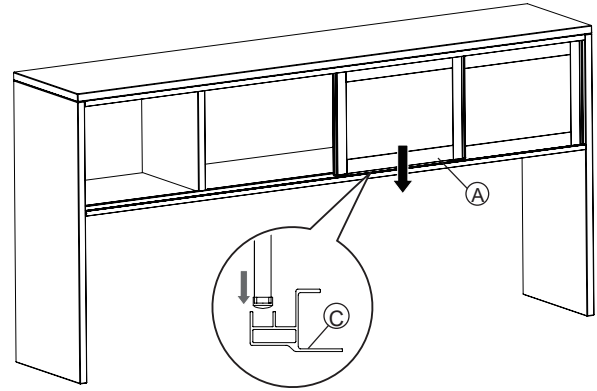
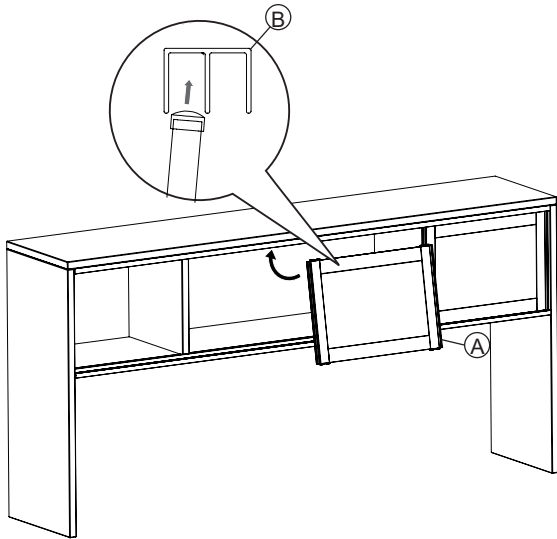
2.1



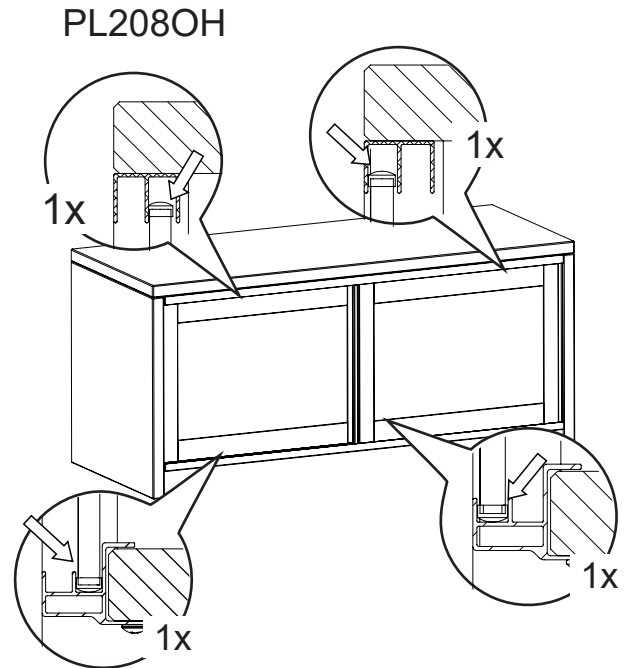
ASSEMBLY INSTRUCTIONS  
MODEL: PL44SLIDESGD

PL sliding door - sold in set of 2

2.2



PL44OH or PL2044OH



PL208OH

**⚠ ATTENTION ⚠**

Place all wooden parts on a clean and smooth surface such as a rug or carpet to avoid the parts from being scratched.  
Check that you have all parts and hardware.  
Remove all wrapping materials, including staples & packing straps before you start to assemble.  
Do not tighten any screws or bolts until the unit is completely assembled.  
Keep all hardware parts out of reach of children.