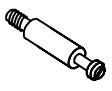





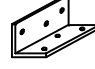

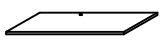


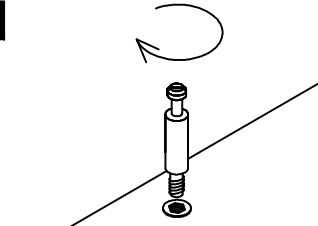
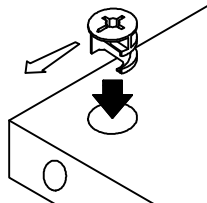
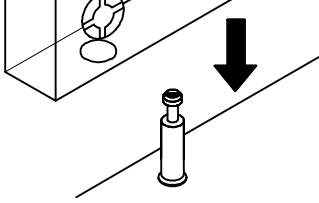


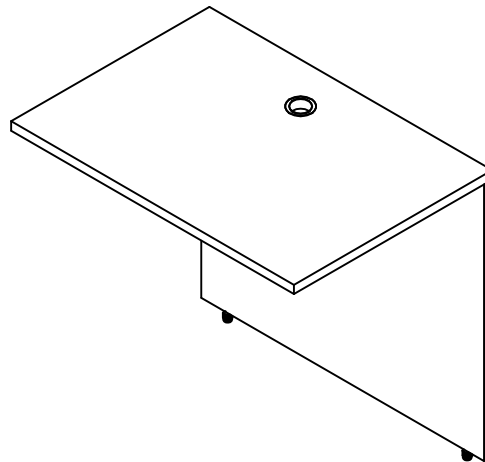
**Thank you for purchasing the Performance Bridge.  
Please follow these instructions for easy assembly.**

1  <b>Cam Lock</b> 2 Pcs	2  <b>Klix Cam</b> 2 Pcs	3  <b>Housing Cap</b> 2 Pcs	4  <b>Adjustable Glide</b> 2 Pcs	5  <b>6 Hole L-Bracket</b> 2 Pcs	6  <b>Screw #6 x 5/8"</b> 60 Pcs	7  <b>3" L-Bracket With 6 Hole</b> 2 Pcs	8  <b>Flat Bracket (6 Hole)</b> 6 Pcs
--	--	---	--	--	--	--	---

A  <b>Top Panel</b>	B  <b>Back Panel</b>	9  <b>M4 x 65 Allen-Key</b> 1 Pc
--	---	---

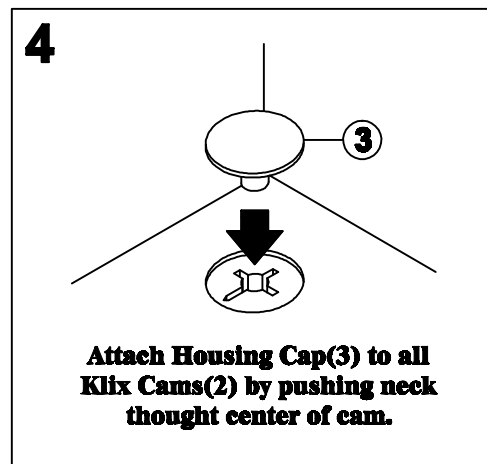
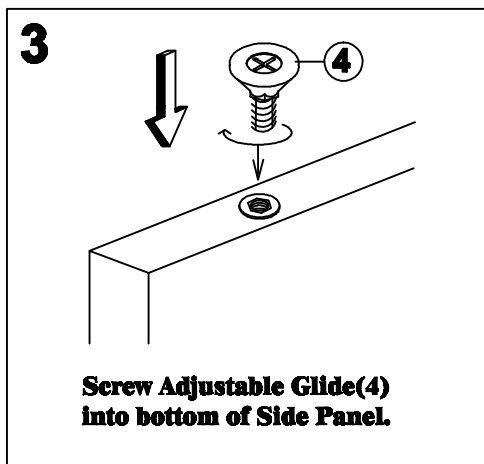
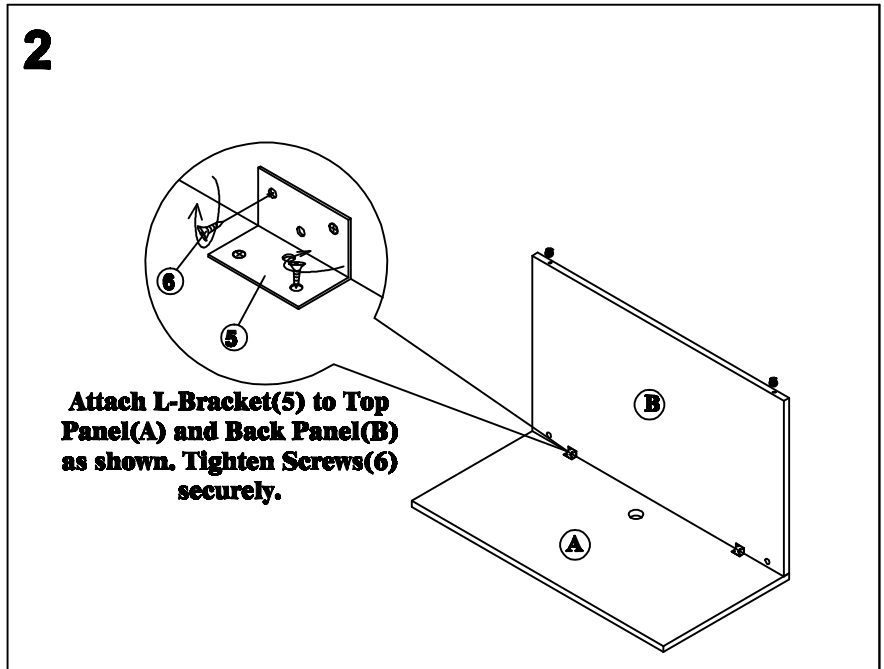
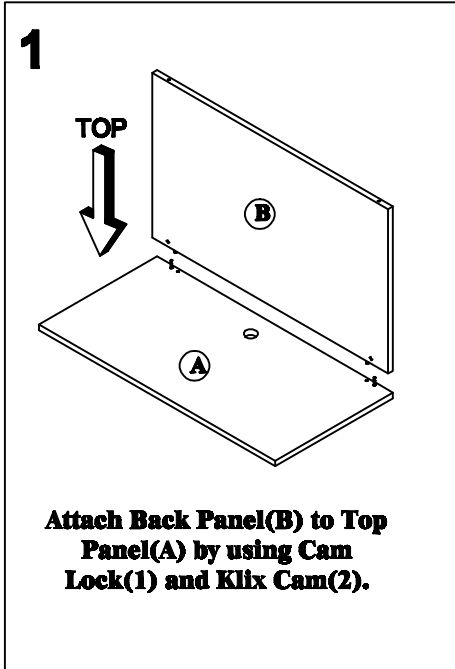
**KLIX CAM INSTRUCTIONS**

1  <b>Line up Cam Lock, turn clockwise.</b>	2  <b>Insert the cam with the arrow pointing towards the hole in the edge.</b>	3  <b>Insert the Cam Lock into Klix Cam. Turn Klix Cam to lock.</b>
--	---	--



**IMPORTANT !**

- Place all wooden parts on a clean and smooth surface such as a rug or carpet to avoid the parts from being scratched.
- Check that you have all parts and hardware.
- Remove all wrapping materials, including staples & packing straps before you start to assemble.
- Do not tighten any screws or bolts until the unit is completely assembled.
- Keep all hardware parts out of reach of children.



**Additional hardware enclosed to allow you to attach this bridge to other pieces.**