
























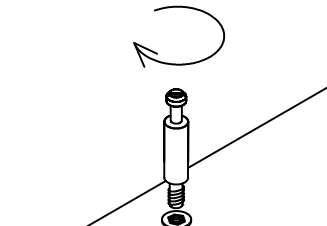
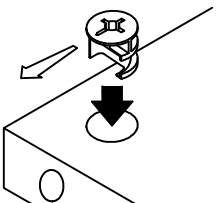
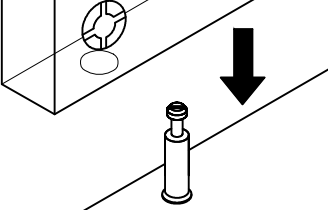


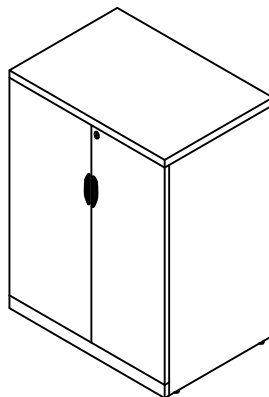
**Thank you for purchasing the Performance High Cabinet.  
Please follow these instructions for easy assembly.**

1  Cam Lock 15 Pcs	2  Klix Cam 15 Pcs	3  Housing Cap (Long) 8 Pcs	4  Housing Cap (Short) 7 Pcs	5  Shelf Support Pin 16 Pcs	6  0' Compo Door Hingers 3 Pairs	7  Metal Scallop Shape Handle 2 Pcs	8  833 L-Bracket 1 Pc
9  Screw M3.5 x 12mm 2 Pcs	10  Door Stopper 1 Pc	11  Screw M3.5 x 16mm 1 Pcs	12  Drawer Lock 1 Pc	13  Screw M3.5 x 20mm 4 Pcs	14  6 Hole L-Bracket 3 Pcs		
15  Screw #6 x 5/8 " 18 Pcs		16  Adjustable Glide 4 Pcs		17  M4 x 65 Allen-Key 1 Pc			

A  Back Panel	B  Left Gable	C  Right Gable	D  Kick Plate	E  Top Panel	F  Bottom Panel	G  Adj. Shelf x 4	H  Door Panel x 2
--	--	---	--	---	---	--	--

**KLIX CAM INSTRUCTIONS**

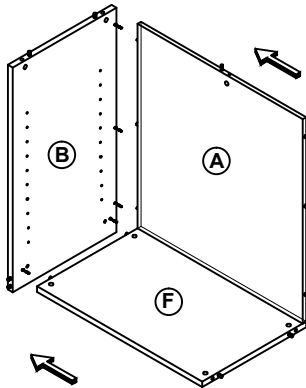
1  Line up Cam Lock, turn clockwise.	2  Insert the cam with the arrow pointing towards the hole in the edge.	3  Insert the Cam Lock into Klix Cam. Turn Klix Cam to lock.
--	--	---



**IMPORTANT !!**

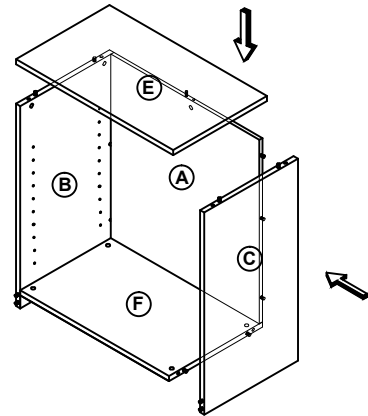
- Place all wooden parts on a clean and smooth surface such as a rug or carpet to avoid the parts from being scratched.
- Check that you have all parts and hardware.
- Remove all wrapping materials, including staples & packing straps before you start to assemble.
- Do not tighten any screws or bolts until the unit is completely assembled.
- Keep all hardware parts out of reach of children.

**1**



**Attach Bottom Panel(F) and Back Panel(A) to Left Gable(B) by using Cam Lock(1) and Klix Cam(2).**

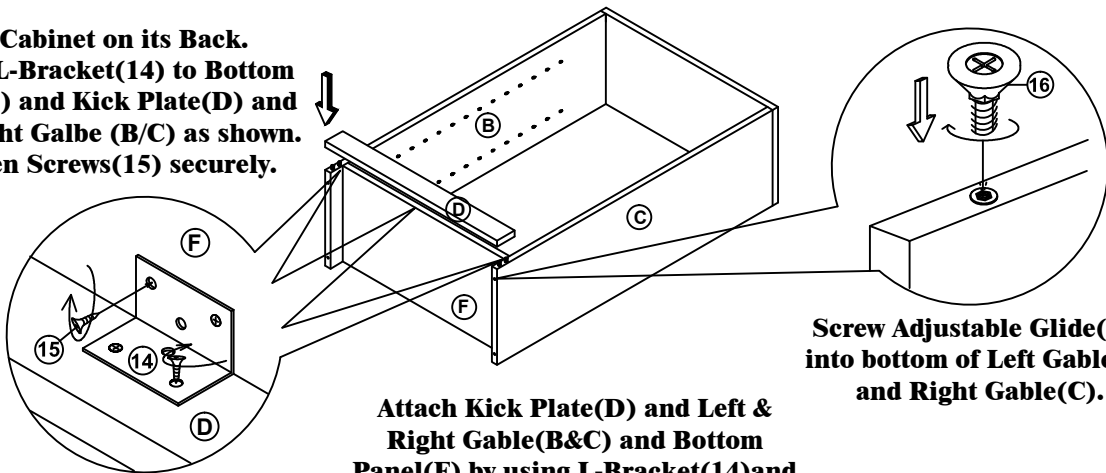
**2**



**Attach Right Gable(C) and Top Panel(E) by using Cam Lock(1) and Klix Cam(2).**

**3**

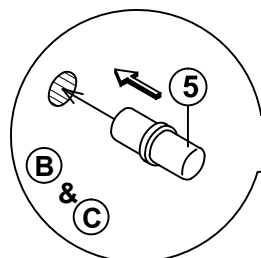
**Lie Cabinet on its Back. Attach L-Bracket(14) to Bottom Panel(F) and Kick Plate(D) and Left/Right Gable (B/C) as shown. Tighten Screws(15) securely.**



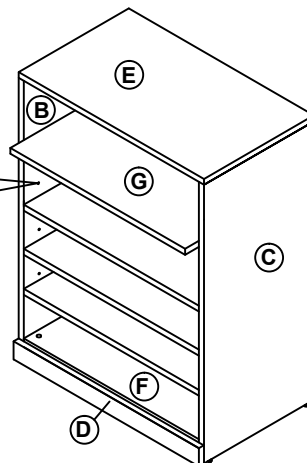
**Attach Kick Plate(D) and Left & Right Gable(B&C) and Bottom Panel(F) by using L-Bracket(14) and Screw (15).**

**Screw Adjustable Glide(16) into bottom of Left Gable(B) and Right Gable(C).**

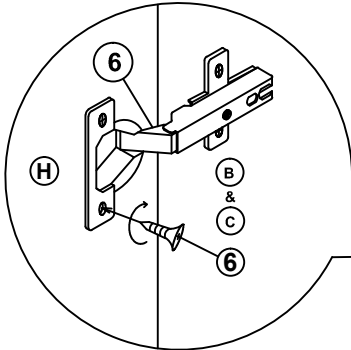
**4**



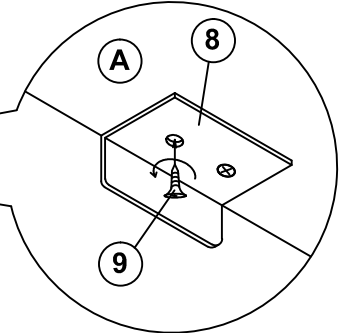
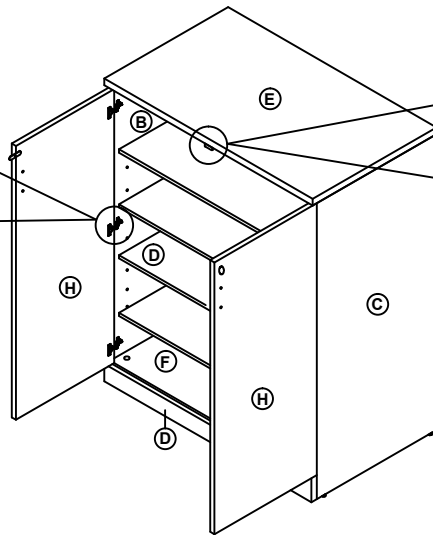
**Insert Shelf Support Pins(5) into the pre drilled holes and place Adjustable Shelves(G) at convenient distances.**



**5**



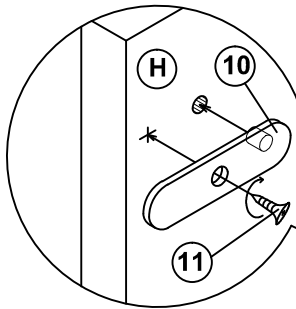
**Attach Door Hinges(6) to Door Panel (H) with Screw (6).**



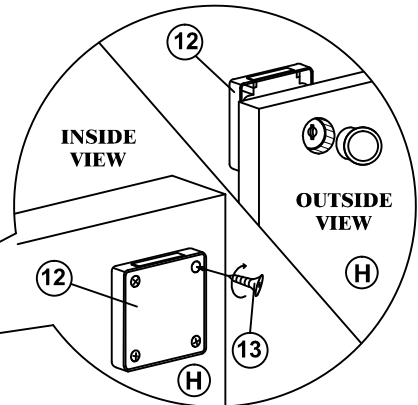
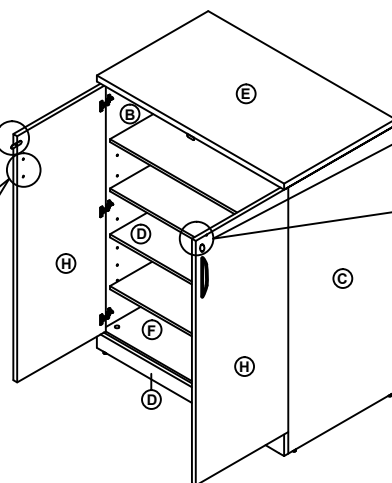
**Attach the 833 L-Bracket(8) to Top Panel(A).**

**Attach the Doors Panel (H) to the Left Gable (B) and Right Gable (C) by using the Door Hinges(6).**

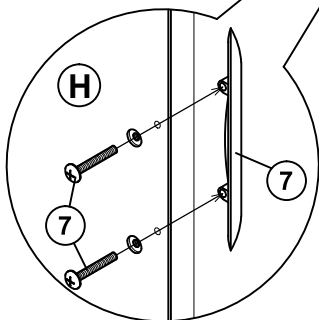
**6**



**Attach Door Stopper(10) to Door Panel(H) as shown. Tighten Screw(11) securely.**



**Insert the Drawer Lock(12) into the predrilled hole on the Door Panel(H).**



**Attach the Handle(7) in front of the Door Panel(H) and screw it from the behind Door Panel(H).**