


























Before assembly, please remove all parts from carton, verifying that you have the correct quantities, and read all the instructions.

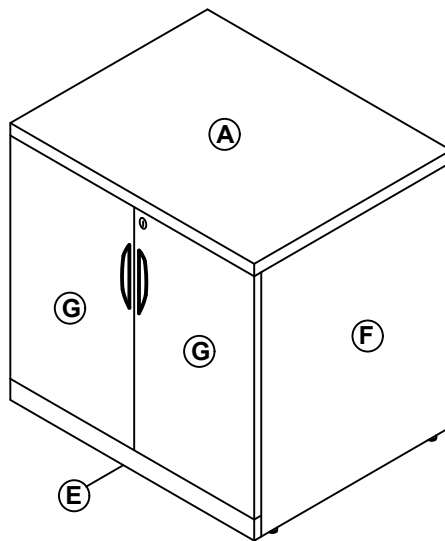
**IN THE CARTON:**

**HARDWARE**

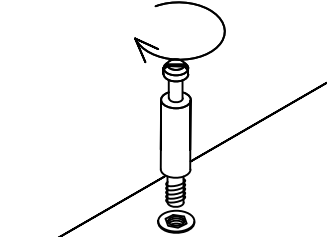
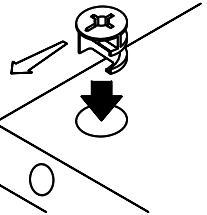
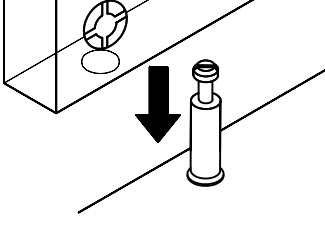
1  Cam Lock 8 Pcs	2  Klix Cam 8 Pcs	3  Housing Cap (Long) 8 Pcs	4  Metal Scallop Shape Handle 2 Sets	5  Softclosing Door Hinges 2 Pairs	6  Drawer Lock 1 Pc	7  Door Stopper 1 Pc	8  833 L-Bracket 1 Pc	9  Screw #3.5 x 12mm 2 Pcs
10  Screw #3.5 x 20mm 4 Pcs	11  Screw #3.5 x 16mm 1 Pc	12  Adjustable Glide 4 Pcs	13  6 Hole L-Bracket 3 Pcs	14  Iron Shelf Support 4 Pcs	15  Screw #6 x 5/8" 18 Pcs	16  JCBC Screw M6 x 40mm = 4pcs Washer = 8pcs	17  M4 x 65 Allen-Key 1 Pc	

**COMPONENTS**

A  Top Panel	B  Bottom Panel	C  Adjustable Shelf	D  Back Panel	E  Front Rail	F  Side Panel x 2	G  Door x 2	H  Hanging Panel x 2
---	--	--	--	--	--	--	---



**KLIX CAM INSTRUCTIONS**

1  Line up Cam Lock, turn clockwise.	2  Insert the cam with the arrow pointing towards the hole in the edge.	3  Insert the Cam Lock into Klix Cam. Turn Klix Cam to lock.
---	--	---

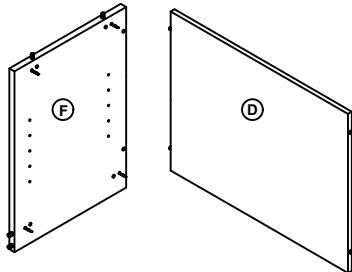
**HINGES INSTRUCTIONS**

**DETAIL x-x**

BACK VIEW  
ADJUST THIS SCREW FOR DOOR ALIGNMENT  
AFTER ASSEMBLING THE HINGES.

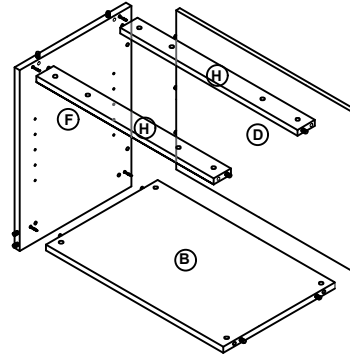
**INSTRUCTIONS:**

**1**



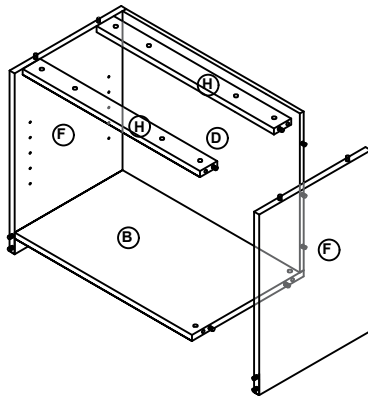
Attach Side Panel (F) to Back Panel (D).

**2**



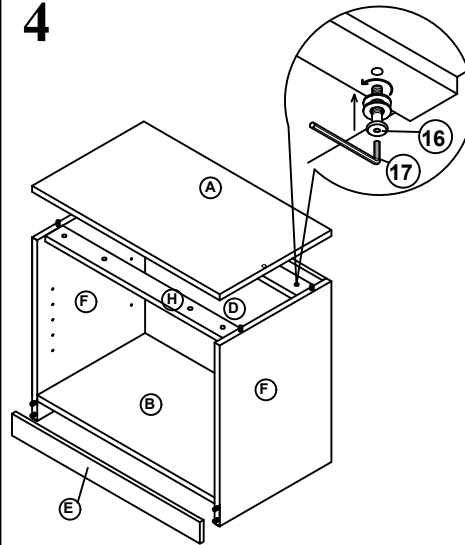
Attach the Bottom Panel (B) and Hanging Panel (H) to Side Panel (F) by using Cam Lock (1) and Klix Cam (2).

**3**



Attach the Hanging Panel(H) and another Side Panel(F) by using Cam Lock(1) and Klix Cam(2).

**4**



Attach the Top Panel (A) on top Side Panel (F), Back Panel (D) and Hanging Panel (H) by using JCBC Screw and Washer (16).

Attach the Front Rail (E) and Side Panel (F) by using wood dowel.

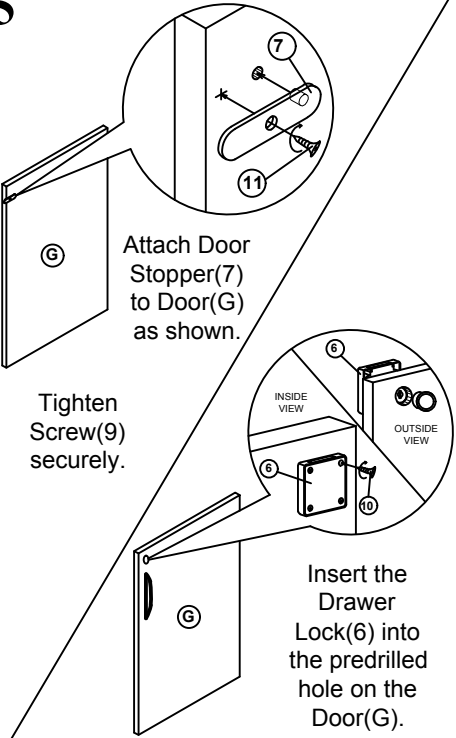
**⚠ ATTENTION ⚠**

Place all wooden parts on a clean, smooth surface to prevent them from being scratched.

Check to be sure that you have all parts and hardware. Remove all wrapping materials, including staples and packing straps before you start to assemble. Do not tighten all screws/bolts until all completely assembled. Keep all hardware parts out of reach of children. If any parts are missing, broken, damaged or worn, stop use of product until repairs have been made using factory authorized parts. Failure to follow these warnings may result in injury.

**INSTRUCTIONS:**

**5**



Attach Door Stopper(7) to Door(G) as shown.

Tighten Screw(9) securely.

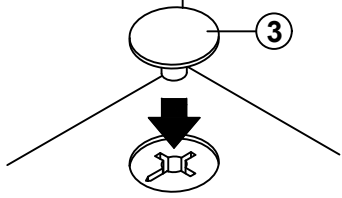
Insert the Drawer Lock(6) into the predrilled hole on the Door(G).

INSIDE VIEW

OUTSIDE VIEW

Detailed description: This diagram shows a door labeled 'G' being assembled. A circular inset shows a door stopper (7) being attached to the door. Another circular inset shows a drawer lock (6) being inserted into a hole on the door, with 'INSIDE VIEW' and 'OUTSIDE VIEW' labels. A screw (9) is shown being tightened on the door.

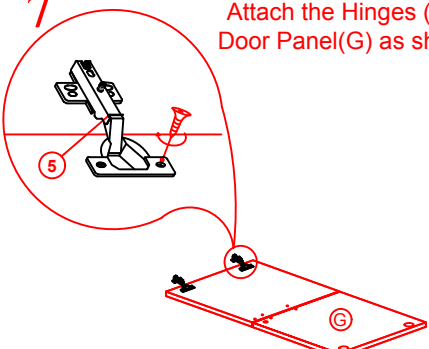
**6**



Attach Housing Cap(3) to all Klix Cams(2) by pushing neck through center of cam.

Detailed description: This diagram shows a housing cap (3) being pushed onto a Klix cam (2). A downward-pointing arrow indicates the direction of assembly.

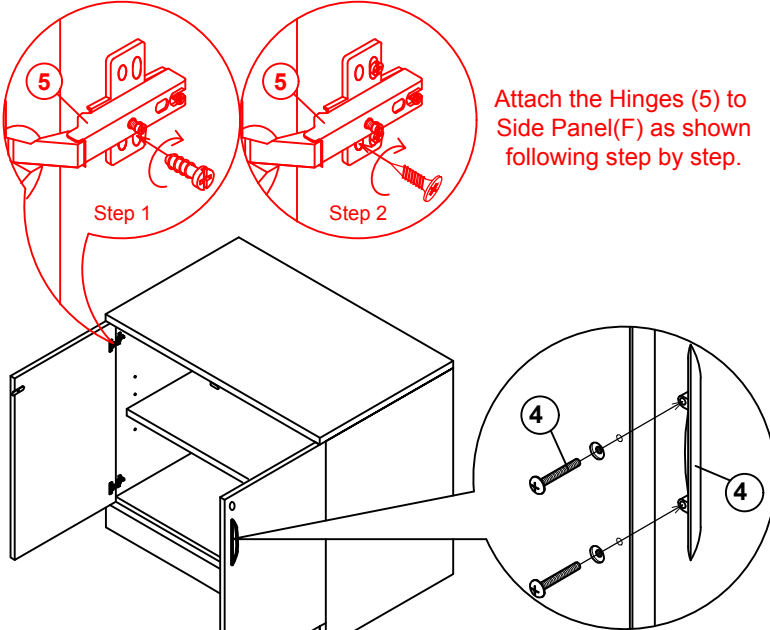
**7**



Attach the Hinges (5) to Door Panel(G) as shown.

Detailed description: This diagram shows hinges (5) being attached to a door panel labeled 'G'. A red circle highlights the hinge attachment point.

**8**



Attach the Hinges (5) to Side Panel(F) as shown following step by step.

Step 1

Step 2

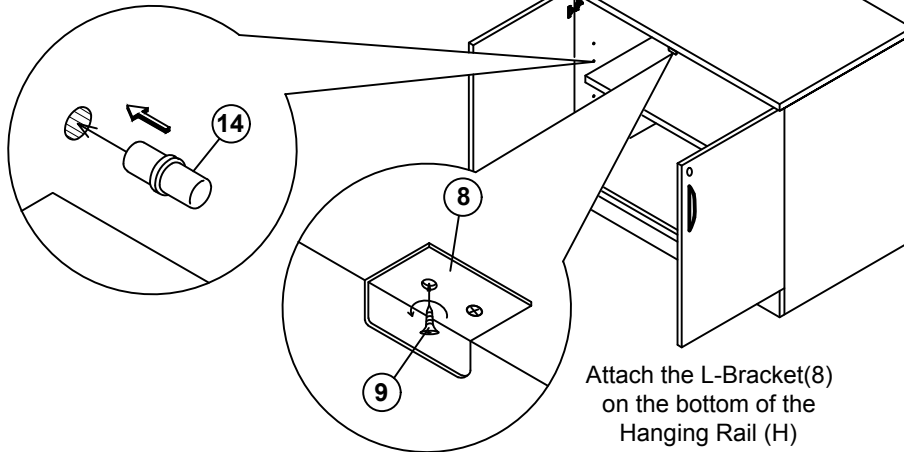
Attach the Handle(4) in front of the Door(G) and screw it from behind of the Door(G).

Detailed description: This diagram shows the final assembly steps. Two circular insets show the two-step process of attaching hinges (5) to a side panel (F). The first inset is labeled 'Step 1' and the second 'Step 2'. A larger diagram shows a cabinet with doors and drawers. A circular inset shows a handle (4) being attached to a door (G) from the back side.

**INSTRUCTIONS:**

**9**

Insert Shelf Support Pins(14) into the pre drilled holes and place Adjustable Shelf(C) at convenient distances.

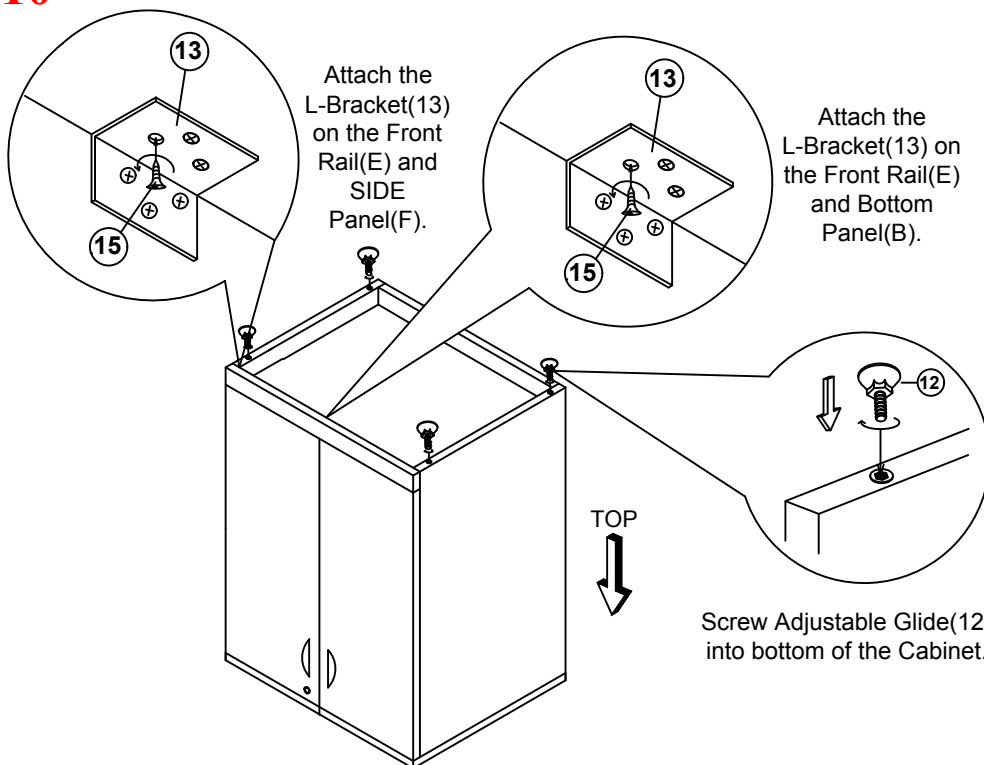


**10**

Attach the L-Bracket(13) on the Front Rail(E) and SIDE Panel(F).

Attach the L-Bracket(13) on the Front Rail(E) and Bottom Panel(B).


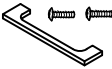





Screw Adjustable Glide(12) into bottom of the Cabinet.

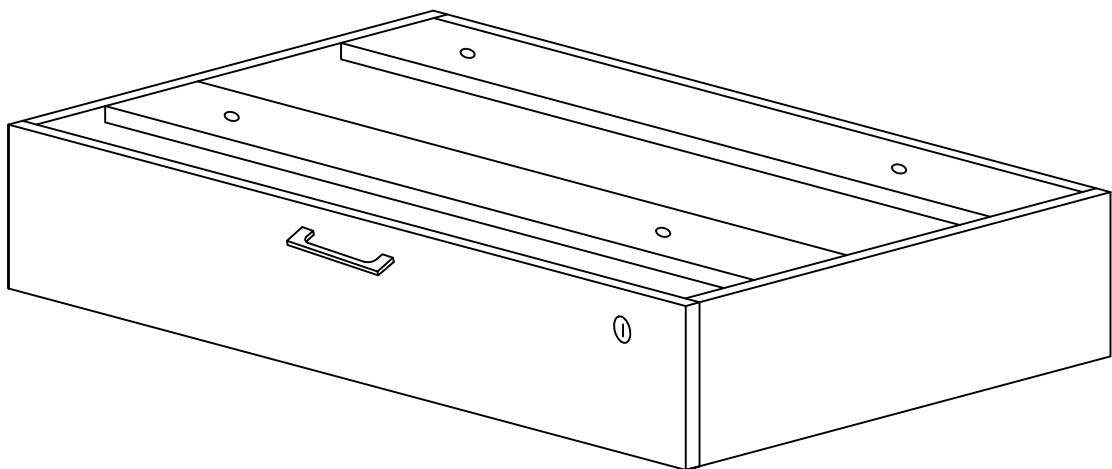
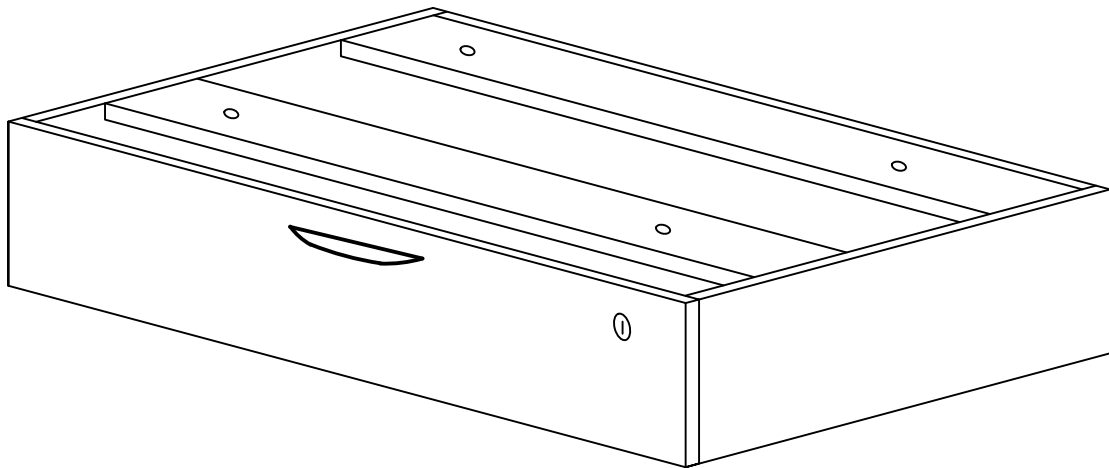


**MODEL: PL272**

Before assembly, please remove all parts from carton, verifying that you have the correct quantities, and read all the instructions.

**IN THE CARTON:**

<p>1</p>  <p>METAL SCALLOP SHAPE HANDLE 1 SET</p>	 <p>METAL HANDLE 1 SET FOR SLB COLOR</p>	<p>2</p>  <p>JCBC SCREW M6 x 40MM = 4PCS WASHER = 4PCS</p>	<p>3</p>  <p>M4 x 65 ALLEN-KEY 1 Pc</p>	<p>4</p>  <p>L-BRACKET 1 Pc</p>	<p>5</p>  <p>SCREW #3.5 x 12MM 2 PCS</p>
<p>6</p>  <p>KEYS 1 SET</p>					



**MODEL: PL272**

**INSTRUCTION:**

**1**

REMOVE DRAWER FROM MODULAR BUFFET. FULLY OPEN DRAWER. WHERE FIRST SLIDE MEETS SECOND SLIDE THERE IS A SMALL CLIP. PULL THE CLIP ON THE LEFT HAND SLIDE UP, PUSH THE CLIP ON THE RIGHT HAND SLIDE DOWN. PULL DRAWER OUT.

**2** MODULAR BUFFET CASE TO UNDERSIDE OF WORKSURFACE BY USING JCBC SCREW (2)

**3** ATTACH THE L-BRACKET(4) ON THE BOTTOM OF THE TOP PANEL.

**4**

ATTACH HANDLE(1) TO THE DRAWER FRONT AND SCREW IT FROM BEHIND DRAWER FRONT.

**⚠ ATTENTION ⚠**

Place all wooden parts on a clean, smooth surface to prevent them from being scratched. Check to be sure that you have all parts and hardware. Remove all wrapping materials, including staples and packing straps before you start to assemble. Do not tighten all screws/bolts until all completely assembled. Keep all hardware parts out of reach of children. If any parts are missing, broken, damaged or worn, stop use of product until repairs have been made using factory authorized parts. Failure to follow these warnings may result in injury.