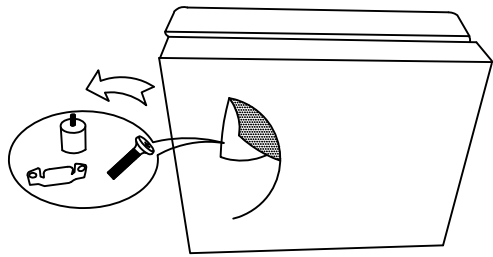
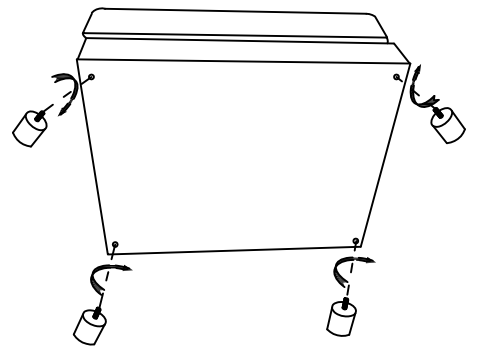


ASSEMBLY INSTRUCTION

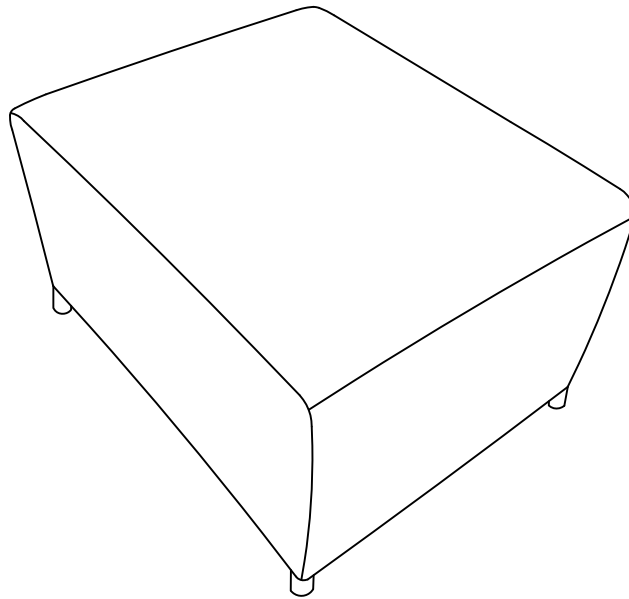
1



2

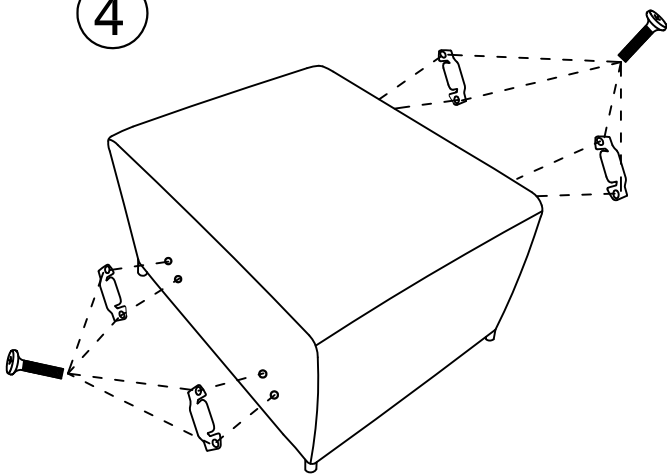


3



OPTION

4



5

