

# ASSEMBLY INSTRUCTIONS

Remove all items from the carton . Verify all pieces before assembly.

## PARTS LIST

KEY	QTY	DESCRIPTION
1	5	Caster
2	1	Base
3	1	Seat Post
4	1	Seat Post Cover
5	6	Mechanism
6	6	Mechanism Screw
7	1	Seat
8	1	Backrest
9	1	Backrest Post + Bellow
10	1	Backrest Screw
11	1	Seat Depth Adj. Knob + Washers
12	1	Allen Wrench

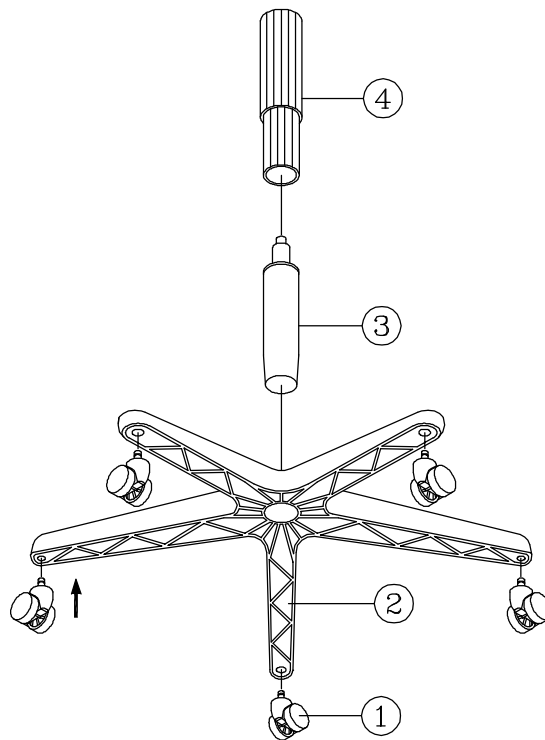
### ATTENTION

1. THIS ASSEMBLY INSTRUCTION IS ONLY FOR ASSEMBLING THE CHAIR. THE CHAIR DRAWING MAY BE DIFFERENT FROM CHAIR APPEARANCE.
2. SOME SCREWS MAY PREASSEMBLED , ASSEMBLERS CAN IGNORE THE STEP.
3. REMOVE ALL ITEMS FROM THE CARTON. VERIFY ALL PIECES BEFORE ASSEMBLY.

### PREVENTIVE MAINTENANCE AND WARNING!

- IF ANY PARTS ARE MISSING, BROKEN, DAMAGED OR WORN, STOP USE OF THE PRODUCT UNTIL REPAIRS ARE MADE USING FACTORY AUTHORIZED PARTS.
- DISPOSE OF PACKAGING PROPERLY.
- FAILURE TO FOLLOW THESE WARNINGS COULD RESULT IN SERIOUS INJURY.
- EVERY SIX MONTHS, PLEASE MAKE SURE ALL BOLTS, SCREWS AND KNOBS ARE FULLY TIGHTENED TO ENSURE STABILITY.

## STEP 1.



## STEP 2.

