

ASSEMBLY INSTRUCTIONS

MODEL: 82338 Starter Panels



Before assembly, please remove all the screws and all parts from the carton, verifying that you have the correct quantities and read all the instructions.

INSTRUCTIONS:

Ensure the top of each panel is at the same level before installing the top connectors .

Important:

When attaching the optional fasteners to the panels, make sure they are at different height locations to prevent interference.

The fasteners can be installed based on actual usage, as long as the panels can be securely fixed, it is not necessary to install all of them.

IN THE CARTON:

① PANEL	② FASTENER	③ SCREW	④ BOTTOM GLIDE	⑤ BOTTOM CONNECTING GLIDE	⑥ TOP CONNECTOR	⑦ TOP END CAP	⑧ ALLEN KEY
		M6*16					M5
1 PC	2 PCS	4 PCS	1 PC	1 PC	1 PC	1 PC	1 PC


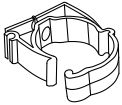

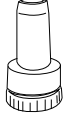
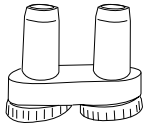



SPARE PARTS:

FASTENER	BOTTOM GLIDE	TOP END CAP	3-WAY TOP CONNECTOR	3-WAY BOTTOM CONNECTING GLIDE
1 PC	1 PC	1 PC	1 PC	1 PC

⚠ ATTENTION ⚠

Do not tighten any screws or bolts until the unit is completely assembled.
 Ensure all bolts and screws are tightened before using, check bolts and screws every 6 months.
 If any parts are missing, broken, damaged or worn, stop use of product until repairs have been made using factory authorized parts.
 Failure to follow these warnings may result in injury.

Before assembly, please remove all the screws and all parts from the carton, verifying that you have the correct quantities and read all the instructions.

<p>①</p>  <p>QTY:3</p>	<p>STEP 1</p> <p>Ensure the top of each panel is at the same level before installing the top connectors .</p>
<p>②</p>  <p>QTY:6</p>	
<p>③</p>  <p>M6x16-QTY:6</p>	
<p>④</p>  <p>QTY:2</p>	
<p>⑤</p>  <p>QTY:2</p>	
<p>⑥</p>  <p>QTY:2</p>	
<p>⑦</p>  <p>QTY:2</p>	
<p>⑧</p>  <p>ALLEN KEY-QTY: 1</p>	
<p>STEP 2</p>	
<p>STEP 3</p>	

⚠ ATTENTION ⚠

Do not tighten any screws or bolts until the unit is completely assembled.

Ensure all bolts and screws are tightened before using, check bolts and screws every 6 months.

If any parts are missing, broken, damaged or worn, stop use of product until repairs have been made using factory authorized parts.


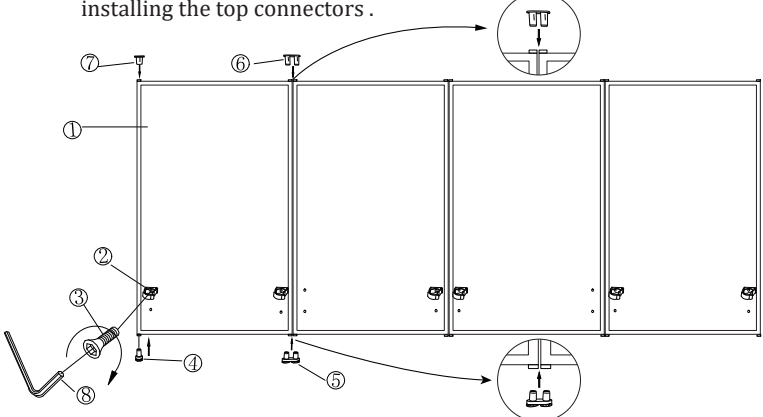


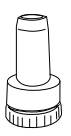
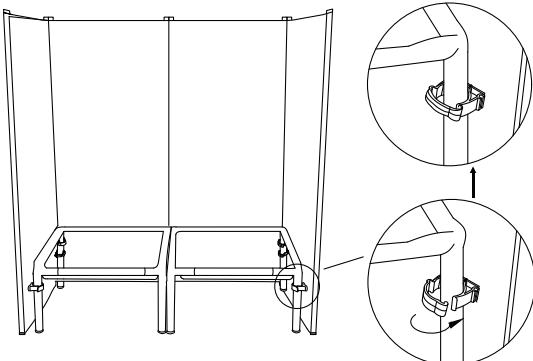
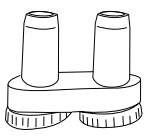
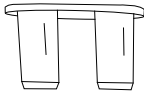

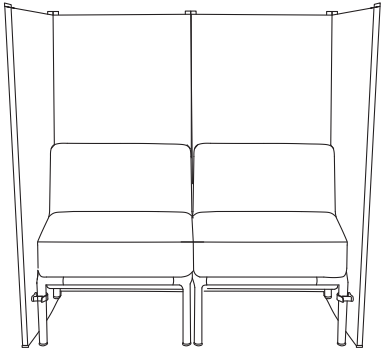
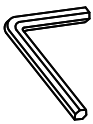
Failure to follow these warnings may result in injury.

ASSEMBLY INSTRUCTIONS

MODEL: 82338 2-Seater Panels



Before assembly, please remove all the screws and all parts from the carton, verifying that you have the correct quantities and read all the instructions.

<p>①</p>  <p>QTY:4</p>	<p>STEP 1 Ensure the top of each panel is at the same level before installing the top connectors .</p> 
<p>②</p>  <p>QTY:8</p>	
<p>③</p>  <p>M6x16-QTY:8</p>	
<p>④</p>  <p>QTY:2</p>	<p>STEP 2</p> 
<p>⑤</p>  <p>QTY:3</p>	
<p>⑥</p>  <p>QTY:3</p>	
<p>⑦</p>  <p>QTY:2</p>	<p>STEP 3</p> 
<p>⑧</p>  <p>ALLEN KEY-QTY: 1</p>	

⚠ ATTENTION ⚠

Do not tighten any screws or bolts until the unit is completely assembled.

Ensure all bolts and screws are tightened before using, check bolts and screws every 6 months.

If any parts are missing, broken, damaged or worn, stop use of product until repairs have been made using factory authorized parts.


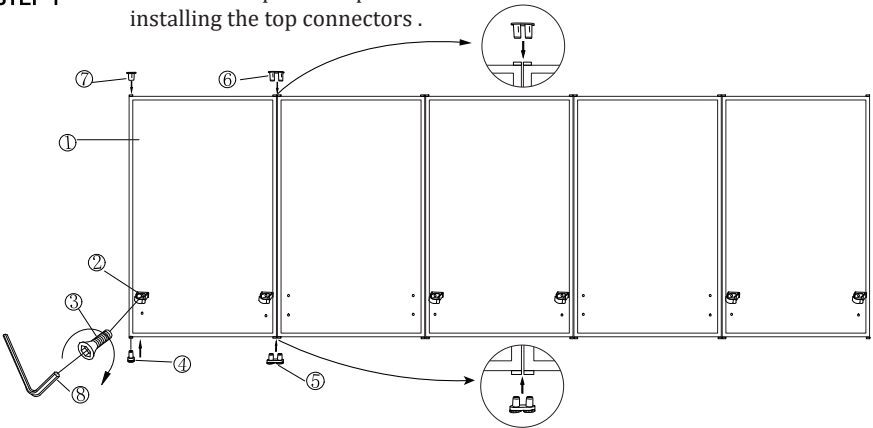

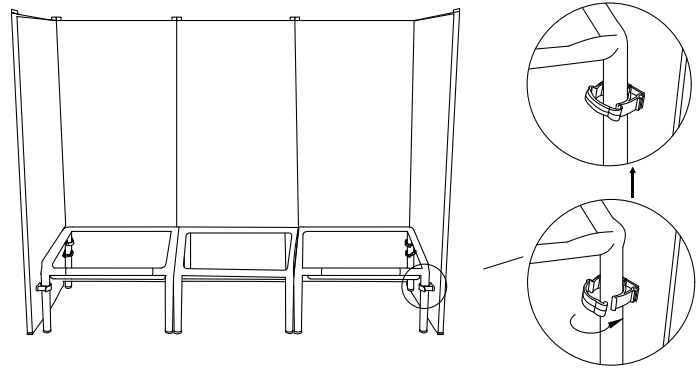

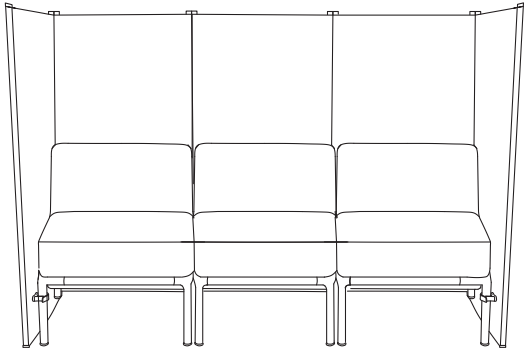
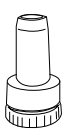
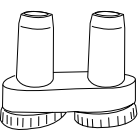
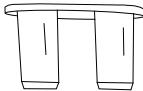

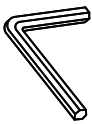
Failure to follow these warnings may result in injury.

ASSEMBLY INSTRUCTIONS

MODEL: 82338 3-Seater Panels



Before assembly, please remove all the screws and all parts from the carton, verifying that you have the correct quantities and read all the instructions.

<p>①</p>  <p>QTY:5</p>	<p>STEP 1 Ensure the top of each panel is at the same level before installing the top connectors .</p> 
<p>②</p>  <p>QTY:10</p>	<p>STEP 2</p> 
<p>③</p>  <p>M6x16-QTY:10</p>	<p>STEP 3</p> 
<p>④</p>  <p>QTY:2</p>	
<p>⑤</p>  <p>QTY:4</p>	
<p>⑥</p>  <p>QTY:4</p>	
<p>⑦</p>  <p>QTY:2</p>	
<p>⑧</p>  <p>ALLEN KEY-QTY: 1</p>	

⚠ ATTENTION ⚠

Do not tighten any screws or bolts until the unit is completely assembled.

Ensure all bolts and screws are tightened before using, check bolts and screws every 6 months.

If any parts are missing, broken, damaged or worn, stop use of product until repairs have been made using factory authorized parts. Failure to follow these warnings may result in injury.