

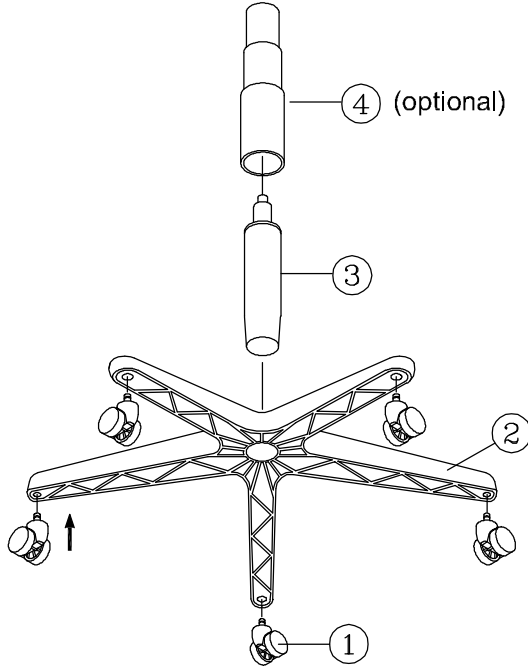
ASSEMBLY INSTRUCTION

Remove all items from the carton . Verify all pieces before assembly.

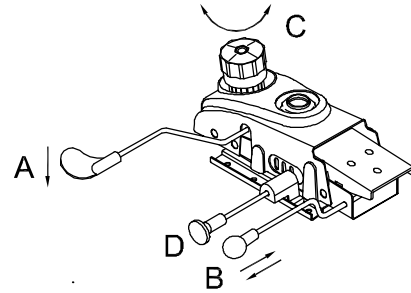
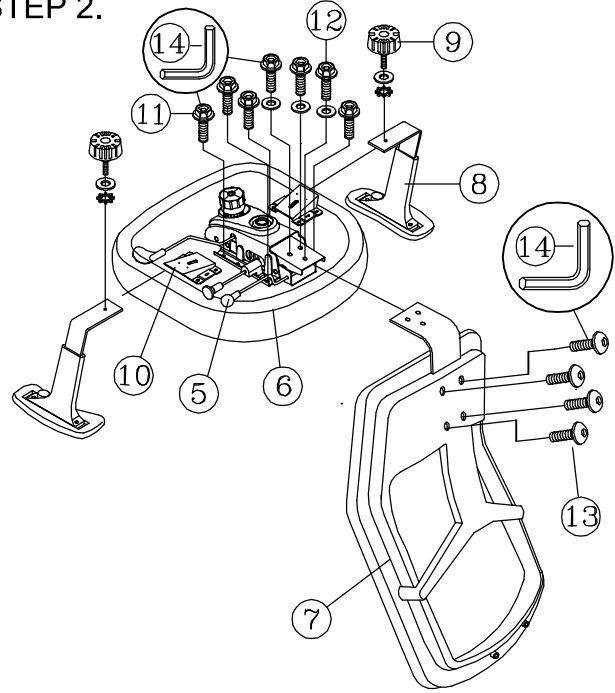
PART LIST

KEY	QTY	DESCRIPTION	KEY	QTY	DESCRIPTION	KEY	QTY	DESCRIPTION
1	5	Caster	7	1	Backrest	12	3	Backrest Bracket Screw + Washer
2	1	Base	8	2	Armrest	13	4	Backrest Screw
3	1	Seat Post	9	2	Arm Width Adjustment Knob + Washers	14	1	M5 Size Allen Wrench
4	1	Seat Post Cover	10	2	Arm Bracket			
5	1	Mechanism	11	4	Mechanism Screw			
6	1	Seat						

STEP 1.



STEP 2.



MECHANISM OPERATING INSTRUCTION WHILE SEATING :

- (A) **SEAT HEIGHT ADJUSTMENT :**
Pull lever up and downward . Release lever when desired position is reached.
- (B) **BACK TILT ADJUSTMENT :**
Pull lever horizontally . Move backrest to tilt . To lock in upright position , push lever in.
- (C) **TILT TENSION ADJUSTMENT KNOB :**
Rotate knob clockwise / counterclockwise to adjust tilt tension based on body weight.
- (D) Pull handle bar out , allows seat to slide forward and backward . Release handle bar to lock desired seat position.

PREVENTIVE MAINTENANCE AND WARNING!

- USE THIS PRODUCT ONLY FOR SEATING ONE PERSON AT A TIME.
- DO NOT USE THIS CHAIR AS A STEP STOOL / LADDER.
- DO NOT SIT ON ANY PART OF THE CHAIR EXCEPT THE SEAT.
- DO NOT USE CHAIR ON UNEVEN FLOOR SURFACES.
- DO NOT USE CHAIR UNLESS ALL BOLTS, SCREWS AND KNOBS ARE TIGHTENED.
- **EVERY SIX MONTHS, PLEASE MAKE SURE ALL BOLTS, SCREWS AND KNOBS ARE FULLY TIGHTENED TO ENSURE STABILITY.**
- IF ANY PARTS ARE MISSING, BROKEN, DAMAGED OR WORN, STOP USE OF THE PRODUCT UNTIL REPAIRS ARE MADE USING FACTORY AUTHORIZED PARTS.
- DISPOSE OF PACKAGING PROPERLY. PLASTIC BAG IS NOT A TOY. DO NOT USE PLASTIC BAG AS HEAD COVERING - IT MAY CAUSE SUFFOCATION.
- FAILURE TO FOLLOW THESE WARNINGS COULD RESULT IN SERIOUS INJURY.

7701 / 7701S / A7701S / 7701ST / 7711S / 7711ST