

Assembly Instructions

7326

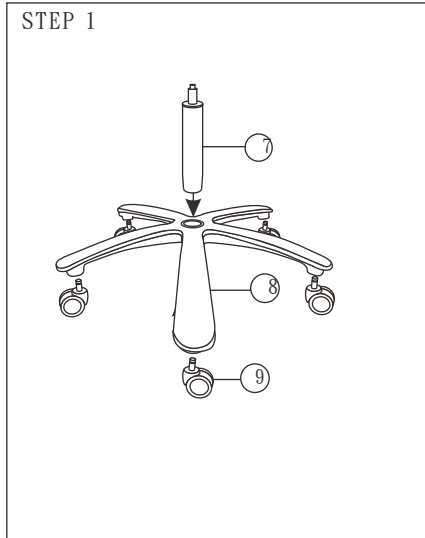


PERFORMANCE
FURNISHINGS

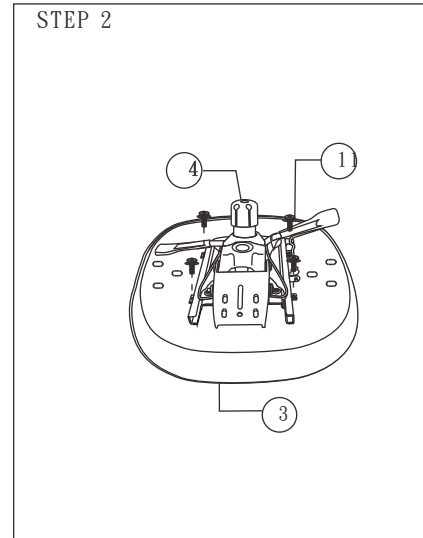
Before assembly, please remove all parts from the carton, verifying that you have the correct quantities, and read all the instructions.

PARTS LIST :			
KEY		QTY	DESCRIPTION
1		1 PC	Back
2		1 PC	Headrest
3		1 PC	Seat
4		1 PC	Mechanism
5		1 PC	Armrest (R)
6		1 PC	Armrest (L)
7		1 PC	Gas lift
8		1 PC	Base
9		5 PCS	Castors
10		6 PCS	Armrest screw 1/4"x1-3/4" (blue color)
11		4 PCS	Mechanism screw 1/4"x1-1/2" (blue color)
12		3 PCS	J Bar screw 5/16"x1-3/4" (blue color)
13		1 PC	Allen wrench 5mm
14		2 PCS	Headrest screw 1/4"x3/4" (blue color)

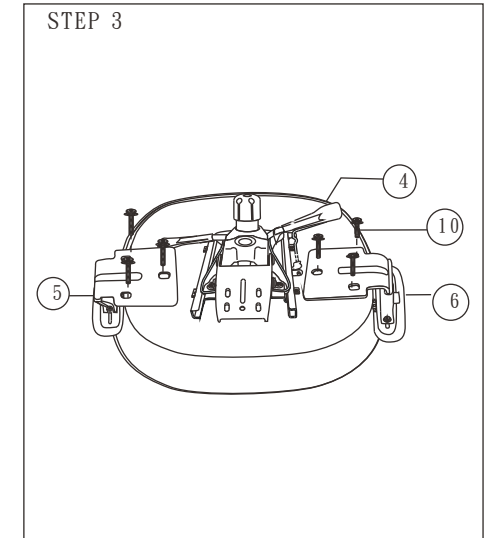
STEP 1



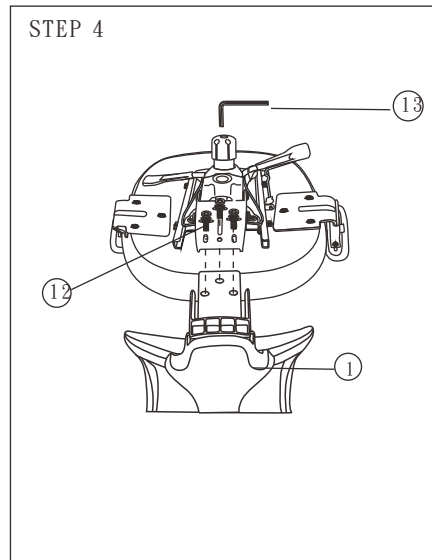
STEP 2



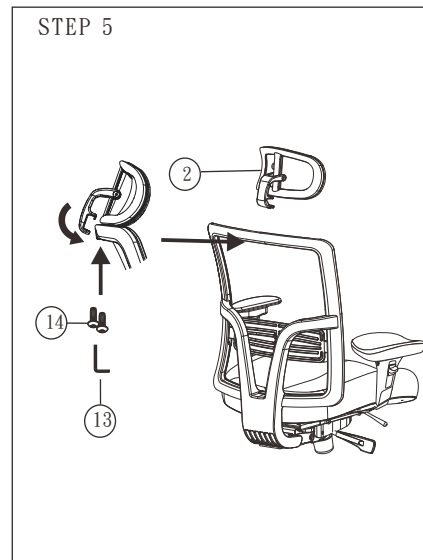
STEP 3



STEP 4



STEP 5



! ATTENTION !

Ensure all bolts and screws are tightened, check bolts and screws every 6 months.

If any parts are missing, broken, damaged or worn, stop use of product until repairs have been made using factory authorized parts.

Failure to follow these warnings may result in injury.