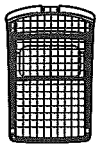
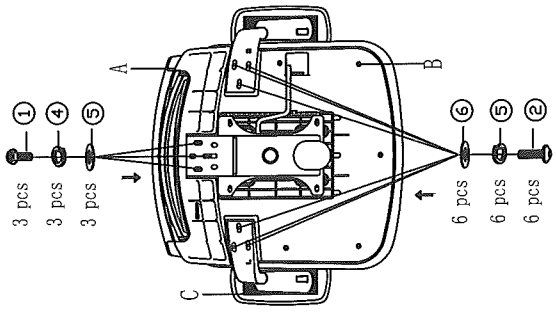
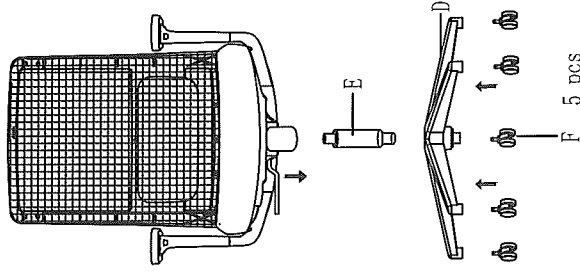
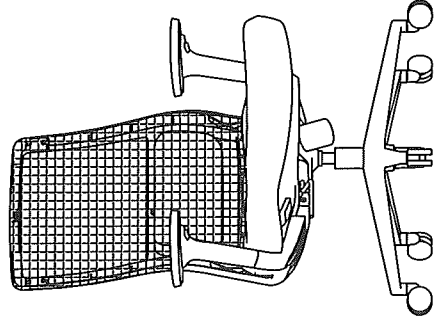
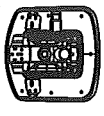
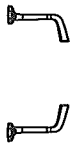
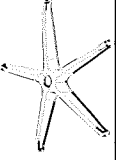
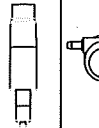






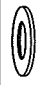



Before assembly, please remove all parts from the carton, verifying that you have the correct quantities, and read all the instructions.

IN THE CARTON: INSTRUCTIONS:

<p>A</p>  <p>1 pcs</p>	 <p>3 pcs ① 3 pcs ④ 3 pcs ⑤</p> <p>6 pcs ⑥ 6 pcs ⑤ 6 pcs ⑦</p> <p>STEP 1</p>	 <p>E</p> <p>F 5 pcs</p> <p>STEP 2</p>	 <p>STEP 3</p>
<p>B</p>  <p>1 pcs</p>			
<p>C</p>  <p>1 pcs</p>			
<p>D</p>  <p>1 pcs</p>			
<p>E</p>  <p>1 pcs</p>			
<p>F</p>  <p>5 pcs</p>			
<p>①</p>  <p>M8*25 3 pcs</p>			
<p>②</p>  <p>M6*60 6 pcs</p>			
<p>③</p>  <p>M8*13*2 3 pcs</p>			
<p>④</p>  <p>M8*20*2 3 pcs</p>			
<p>⑤</p>  <p>M6*10*2 6 pcs</p>			
<p>⑥</p>  <p>M6*16*2 6 pcs</p>			
<p>⑦</p>  <p>5mm 1 pcs</p>			

▲ ATTENTION ▲
Ensure all bolts and screws are tightened, check bolts and screws every 6 months.
If any parts are missing, broken, damaged or worn, stop use of product until repairs have been made using factory authorized parts.
Failure to follow these warnings may result in injury.