
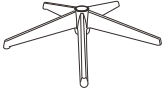
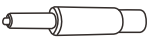
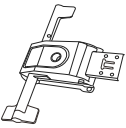

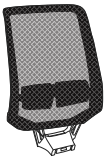



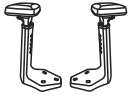



# ASSEMBLY INSTRUCTIONS

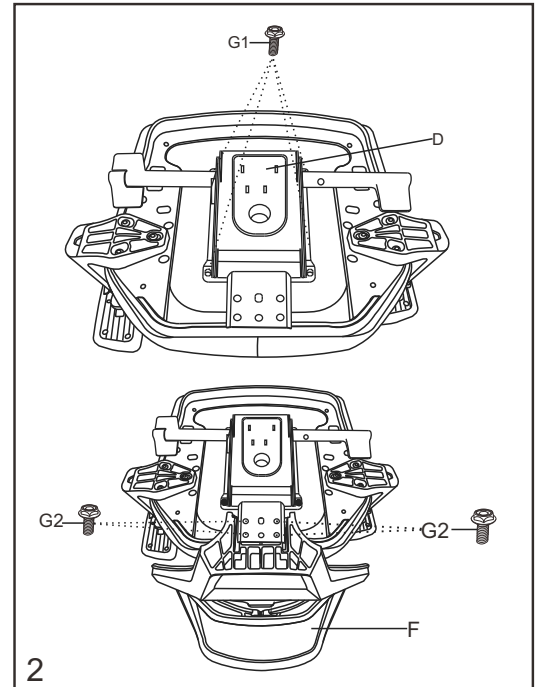
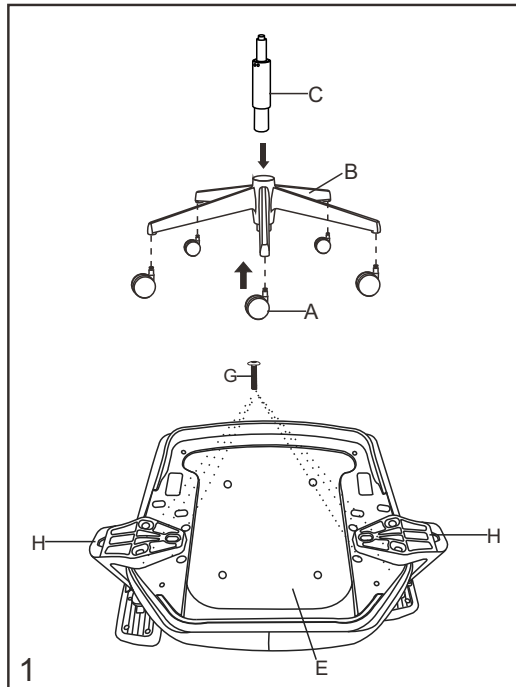
## MODEL: 52626

Before assembly, please remove all parts from the carton, verifying that you have the correct quantities, and read all the instructions.

### IN THE CARTON:

A		5
B		1
C		1
D		1
E		1
F		1
G	 M6X40mm	6
G1	 M8x25mm	4
G2	 M8X20mm	4
H		2
L	 5#	1

### INSTRUCTIONS:



### ⚠ ATTENTION ⚠

This chair is only meant to seat one person at a time. Do not use chair as a step stool/ladder.  
 Ensure all bolts and screws are tightened before sitting on stool, check bolts and screws every 6 months.  
 If any parts are missing, broken, damaged or worn, stop use of product until repairs have been made using factory authorized parts.  
 Failure to follow these warnings may result in injury.