

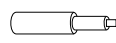





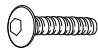
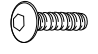

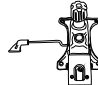

# ASSEMBLY INSTRUCTIONS

## MODEL: 44021

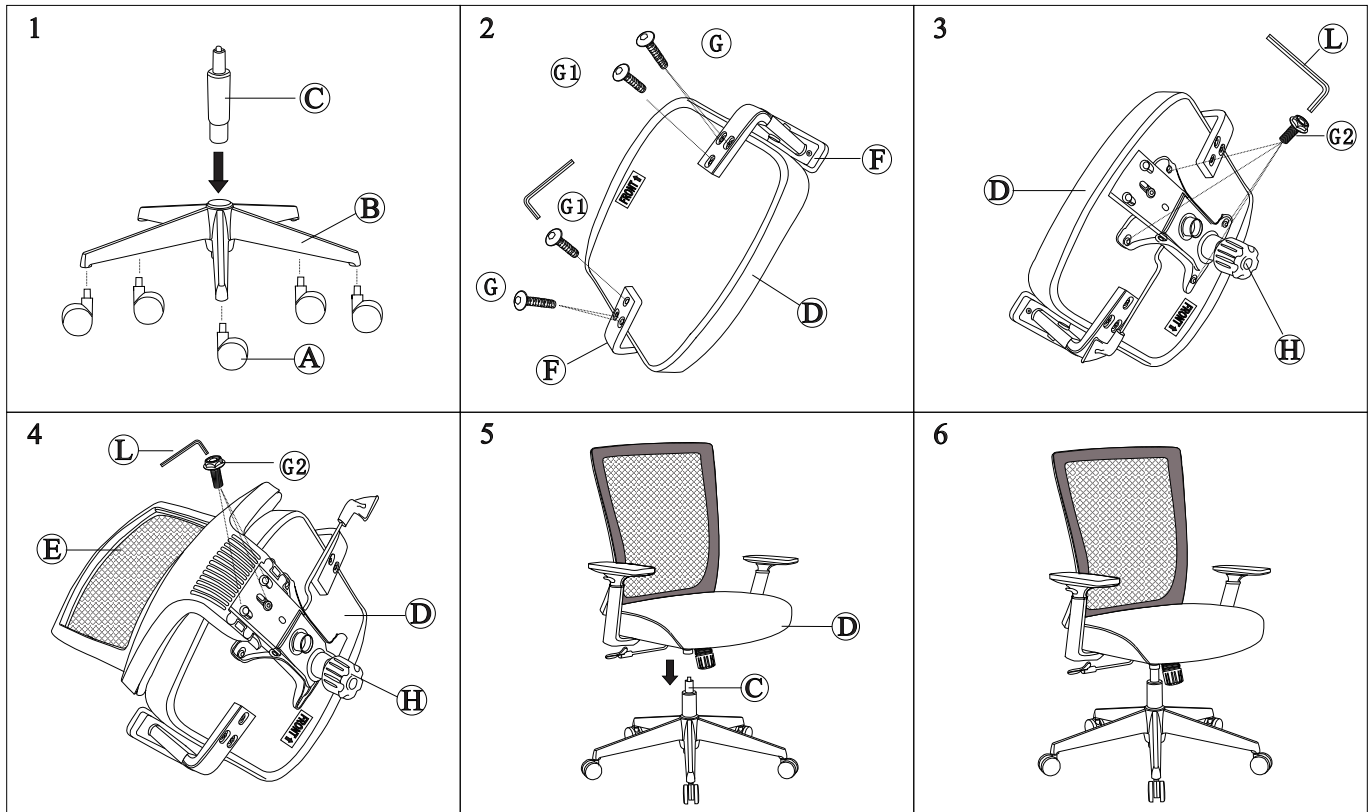
Before assembly, please remove all parts from the carton, verifying that you have the correct quantities, and read all the instructions.

### IN THE CARTON:

A		5
B		1
C		1
D		1
E		1
F		2

G	 M6x40mm	4
G1	 M6x35mm	2
G2	 M8x20 mm	7
H		1
L	 5#	1

### INSTRUCTIONS:



#### ⚠ ATTENTION ⚠

This chair is only meant to seat one person at a time. Do not use chair as a step stool/ladder.  
Ensure all bolts and screws are tightened before sitting on chair, check bolts and screws every 6 months.  
If any parts are missing, broken, damaged or worn, stop use of product until repairs have been made using factory authorized parts.  
Failure to follow these warnings may result in injury.