



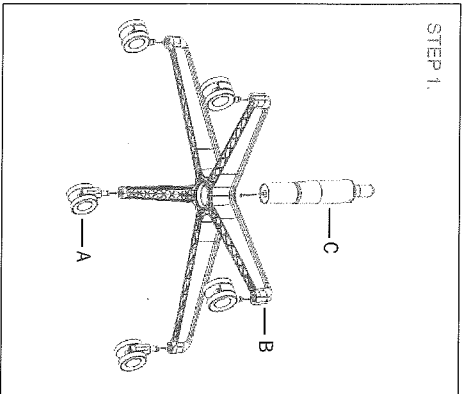
MODEL: KON154AWSBLACKM3 +
KON154AWSBLUEM8 + KON154AWSGREYM2

Before assembly, please remove all parts from the carton, verifying that you have the correct quantities, and read all the instructions.

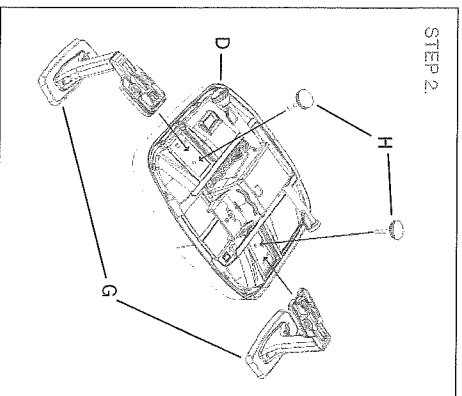
KONFURB SENSE CHAIR

PART LIST

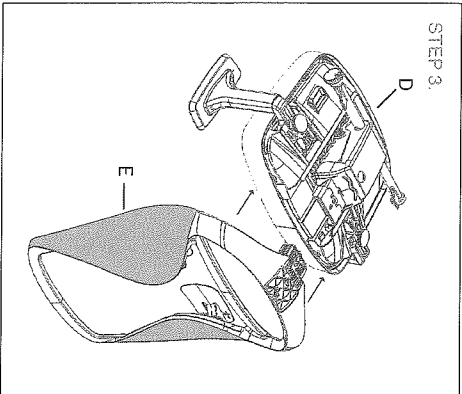
KEY	QTY	DESCRIPTION
A	5	Castors
B	1	Base
C	1	Gas Lift
D	1	Seat & Mechanism
E	1	Backrest & Lumber Support
F	1	Adjustment Knob for Backrest
G	2	Armrests - 1 Left & 1 Right
H	2	Arm Width Adjustment Knobs for Armrests



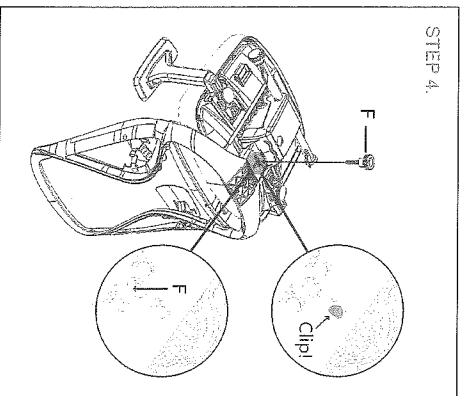
STEP 1.



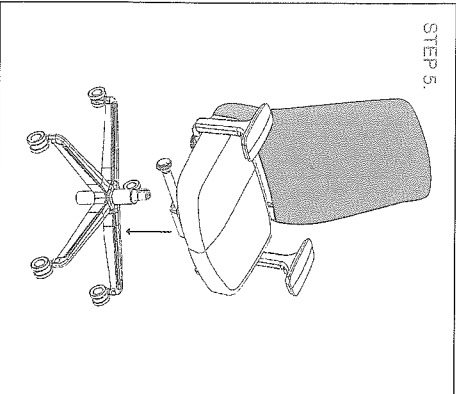
STEP 2.



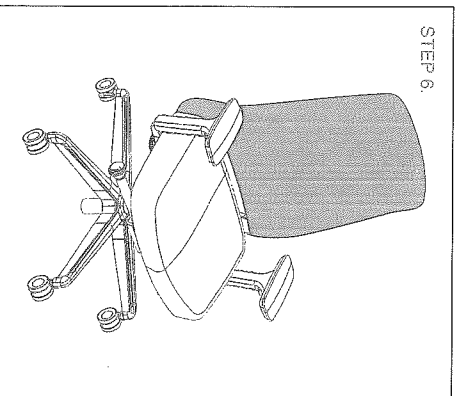
STEP 3.



STEP 4.



STEP 5.



STEP 6.

CARE & MAINTENANCE

GENERAL CARE

To maintain the appearance of non-upholstered parts, wipe the surface with a clean cloth dampened with a mild detergent solution. Do not remove any parts for separate cleaning. Do not saturate the fabric or interior with water or other cleaning liquids. Do not shampoo clean. Do not clean with hot water extraction machine. Do not clean with onsite drycleaning machine. Protect from direct sunlight, heat and weather.

FABRIC UPHOLSTERY CARE

Wipe with a clean cloth dampened with a mild upholstery detergent solution.
A soft bristle brush may be used to remove ingrained soil. Spot clean as above. Treat spills and stains as soon as possible.
Persistent stains may require treatment by a professional cleaner. May be cleaned with dry powder cleaners. Allow to dry thoroughly before reuse.

UPHOLSTERY & FOAM SPECS*

FOAM

Flame Resistant: Ca117 Section A Part I & Section D Part II

UPHOLSTERY: FABRIC

Flame Resistance: Ca117 Section E Class I

*This applies only to standard Konturb stock. Any customer specified upholstery may not meet these specifications.

Preventative Maintenance + Warnings!

- Use this product only for seating one person at a time.
- Do not use this chair as a step stool/ladder.
- Do not sjon any part of the chair except the seat.
- Do not use this chair on uneven floor surfaces.
- Do not interfere with the operation of the gas lift.
- Do not use chair unless all bolts, screws and knobs are tight. At least every six months check all bolts, screws and knobs to ensure they are tight.
- If any parts are missing, broken, damaged or worn, do not use the product until repairs are made using factory authorized parts.
- Dispose of packaging properly.
- Plastic bag is not a toy.
- Do not use plastic bag as a head covering as it may cause suffocation.
- Failure to follow these warnings could result in serious injury.