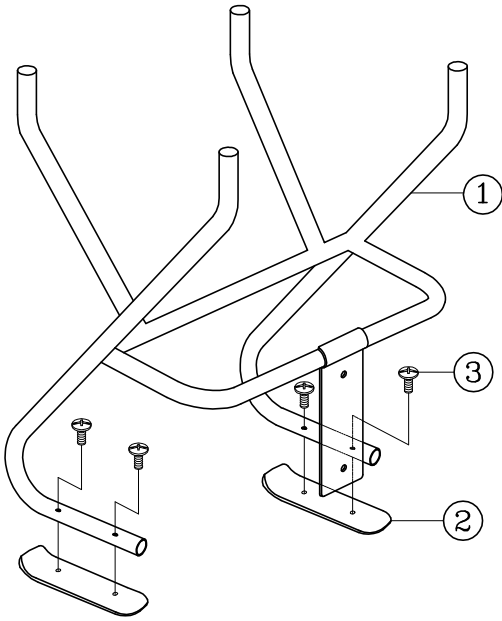


ASSEMBLY INSTRUCTIONS

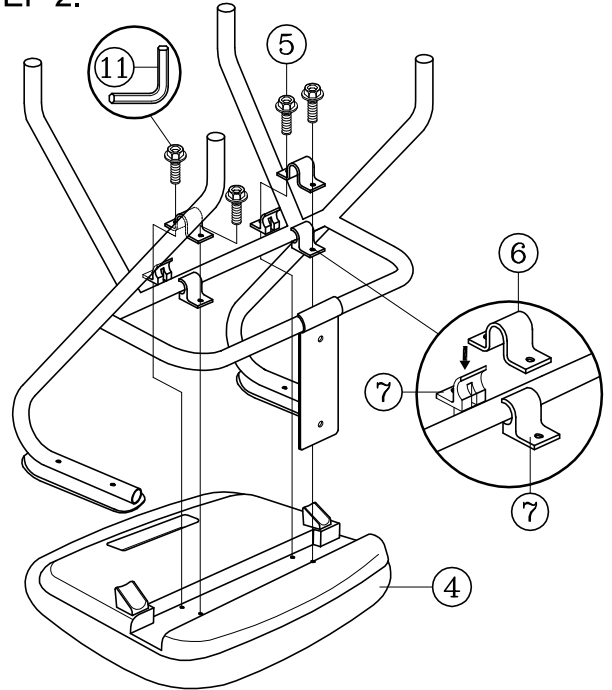
PARTS LIST

KEY QTY	DESCRIPTION	KEY QTY	DESCRIPTION	KEY QTY	DESCRIPTION	
1	1	Sled Base	5	4	Holder Screw (longer)	
2	2	Arm Pad	6	2	Steel Holder	
3	4	Arm Pad Screw	7	4	Plastic Holder	
4	1	Seat Cushion	8	1	Backrest	
				9	2	Backrest Tight Screw
				10	4	Caster
				11	1	M5 Size Allen Wrench

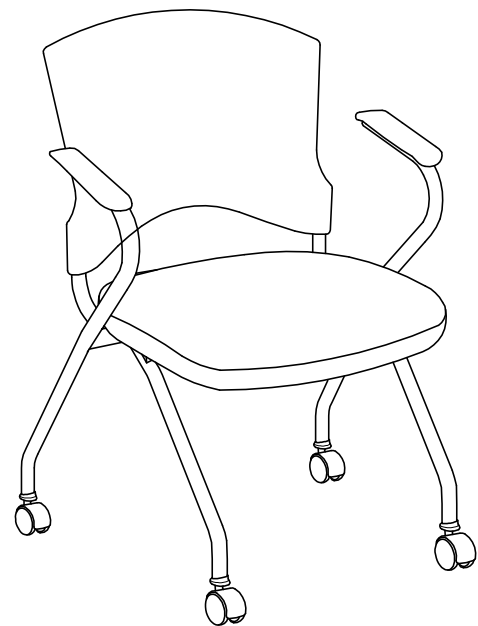
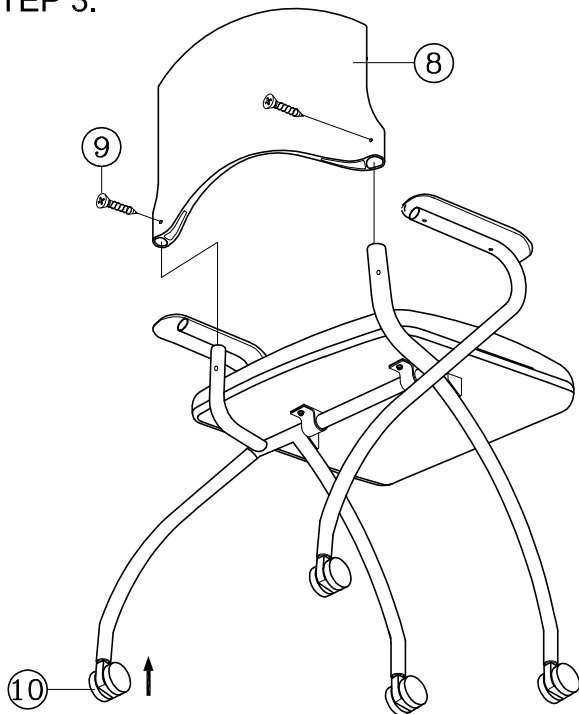
STEP 1.



STEP 2.



STEP 3.



3294T

ATTENTION

1. THIS ASSEMBLY INSTRUCTION IS ONLY FOR ASSEMBLING THE CHAIR. THE CHAIR DRAWING MAY BE DIFFERENT FROM CHAIR APPEARANCE.
2. SOME SCREWS MAY PREASSEMBLED, ASSEMBLERS CAN IGNORE THE STEP.
3. REMOVE ALL ITEMS FROM THE CARTON. VERIFY ALL PIECES BEFORE ASSEMBLY.

PREVENTIVE MAINTENANCE AND WARNING!

- IF ANY PARTS ARE MISSING, BROKEN, DAMAGED OR WORN, STOP USE OF THE PRODUCT UNTIL REPAIRS ARE MADE USING FACTORY AUTHORIZED PARTS.
- DISPOSE OF PACKAGING PROPERLY.
- FAILURE TO FOLLOW THESE WARNINGS COULD RESULT IN SERIOUS INJURY.
- EVERY SIX MONTHS, PLEASE MAKE SURE ALL BOLTS, SCREWS AND KNOBS ARE FULLY TIGHTENED TO ENSURE STABILITY.