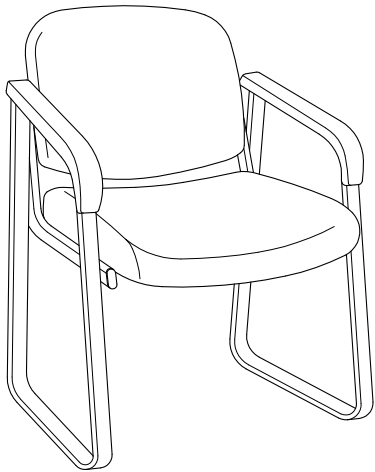


ASSEMBLY INSTRUCTIONS

MODEL: 2704+2708+2709/2749+2738+2739+2748



Before assembly, please remove all parts from the carton, verifying that you have the correct quantities, and read all the instructions.

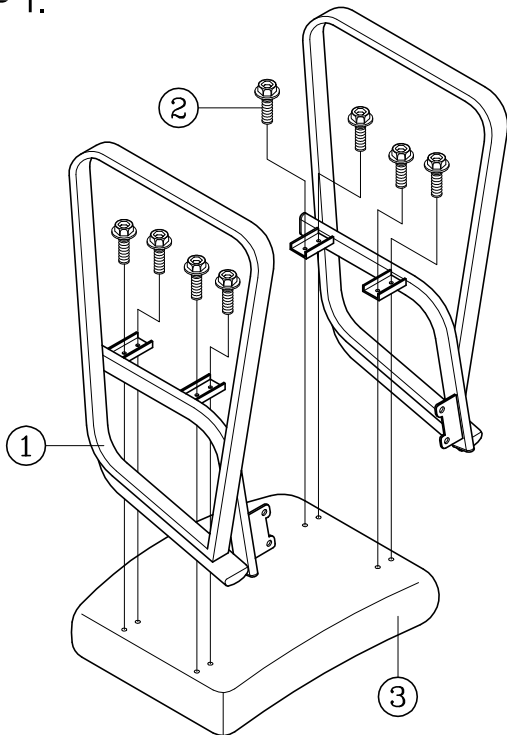


IN THE CARTON:

KEY QTY DESCRIPTION		
1	2	Steel Frame
2	8	Steel Frame Screw (Hex Head)
3	1	Seat
4	1	Backrest
5	4	Backrest Screw (Round Head)

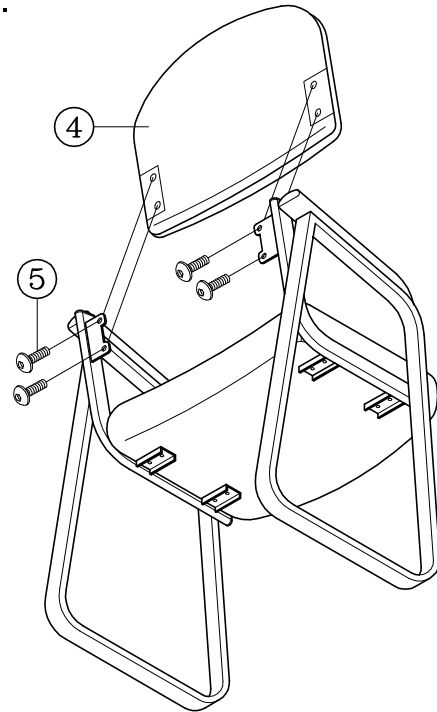
INSTRUCTIONS:

STEP 1.



Align back of (3) seat to holes of (1) steel frame . Screw-in with (2) steel frame screws .
But not making them too tight.

STEP 2.



Align (4) backrest to (1) steel frames as shown . Then , screw-in with (5) backrest screws . Adjust (1) steel frames to reach the balance stand point . Securely tighten screws including screws of (3) seat.

⚠ ATTENTION ⚠

This chair is only meant to seat one person at a time. Do not use chair as a step stool/ladder.

Ensure all bolts and screws are tightened before sitting on chair, check bolts and screws every 6 months.

If any parts are missing, broken, damaged or worn, stop use of product until repairs have been made using factory authorized parts.

Failure to follow these warnings may result in injury.