



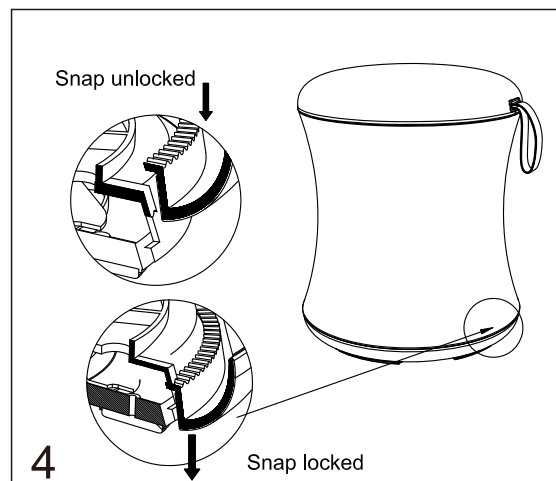
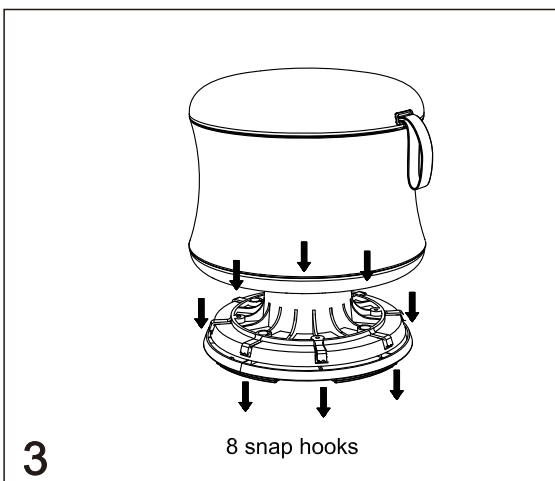
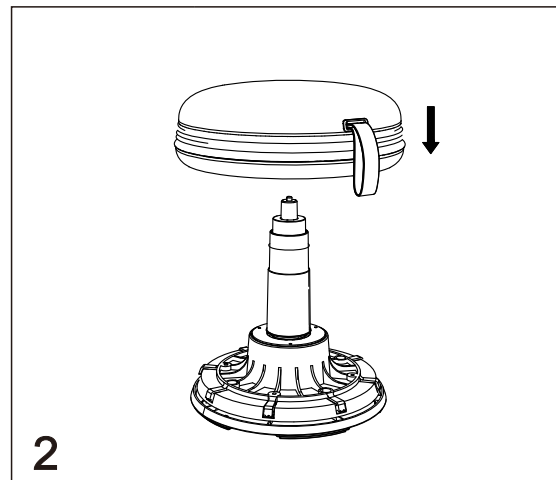
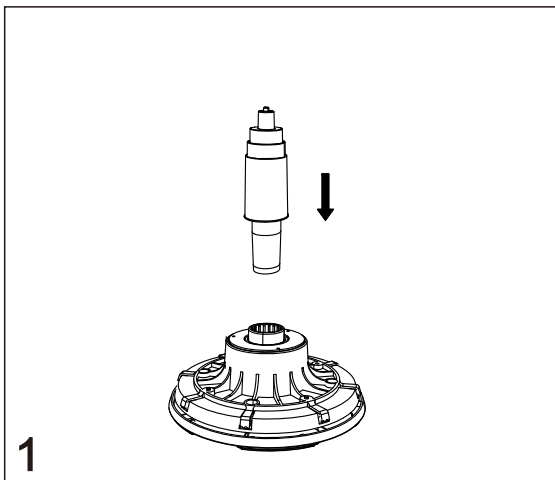
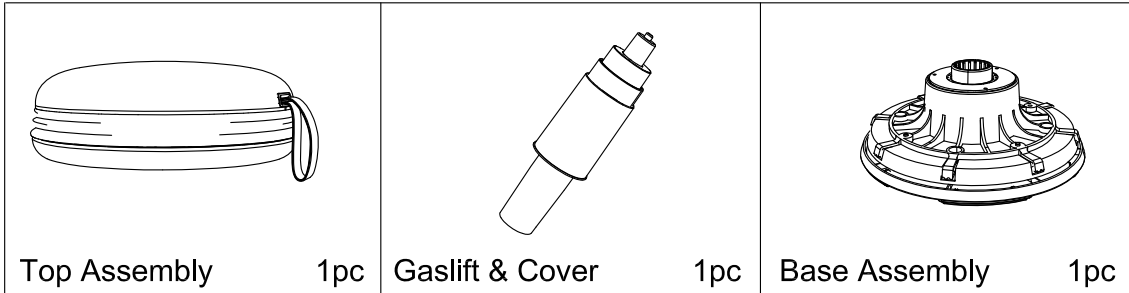
"Functional seating for today's workplace"

# MODEL: 2626

## ASSEMBLY INSTRUCTIONS

THANK YOU FOR PURCHASING THIS DESIGNER STOOL FROM PERFORMANCE OFFICE FURNISHINGS.

BEFORE ASSEMBLY, PLEASE REMOVE ALL PARTS FROM THE CARTON AND VERIFY THAT YOU HAVE CORRECT QUANTITIES.

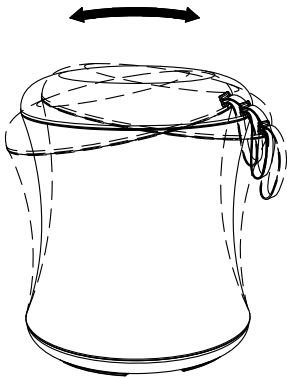


### PREVENTIVE MAINTENANCE AND WARNING

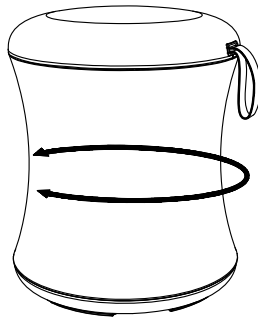
- USE THIS PRODUCT ONLY FOR SEATING ONE PERSON AT A TIME
- DO NOT USE CHAIR AS STEP STOOL/LADDER.  
DO NOT USE CHAIR UNLESS ALL BOLTS, SCREWS ARE TIGHTENED. AT LEAST EVERY THREE MONTHS, CHECK ALL BOLTS, SCREWS TO BE SURE THEY ARE TIGHTENED.
- IF ANY PARTS ARE MISSING, BROKEN, DAMAGED OR WORN, STOP USE OF THE PRODUCT UNTIL REPAIRS ARE MADE USING FACTORY AUTHORIZED PARTS.
- FAILURE TO FOLLOW THESE WARNINGS CAN RESULT IN SERIOUS INJURY.

# Bobo "Active Seating" -- User Instructions

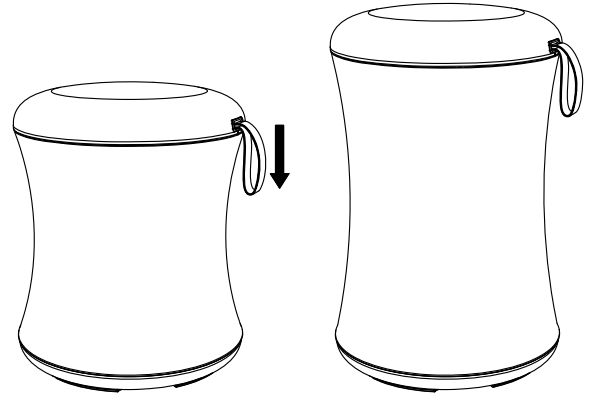
## 1. Functions



tilting



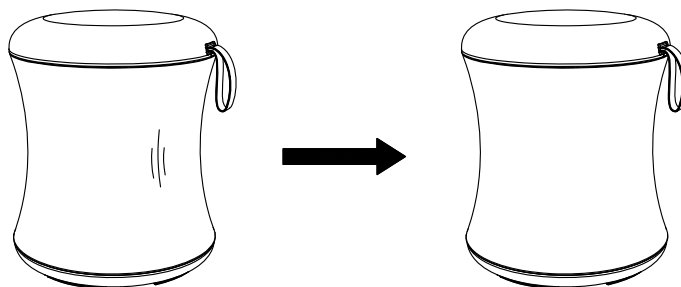
swiveling



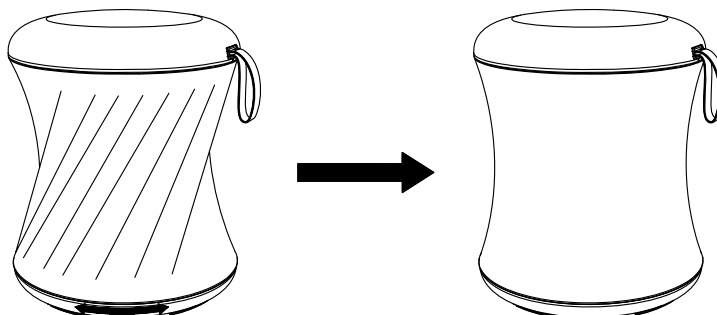
up and down -- pull the strap

## 2. Fabric recovery

After an extended period of time at the high position, the fabric will appear loose when moving the Bobo to a lower position. The fabric will "recover" and appear without wrinkles after approximately 15 minutes.



Accidental depressions in the fabric will smoothen out when raising and lowering the seat a few times.



Twist the plastic cover on the bottom of Bobo to "untwist" fabric as needed.