

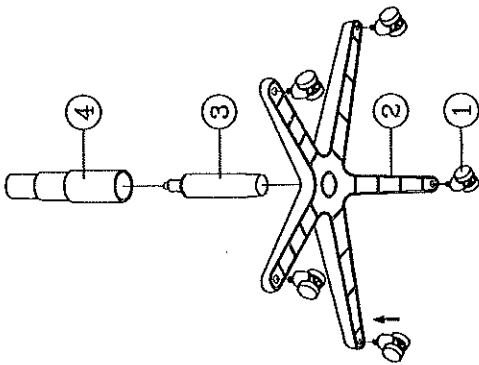
**ASSEMBLY INSTRUCTIONS**  
**MODEL: 2601S**



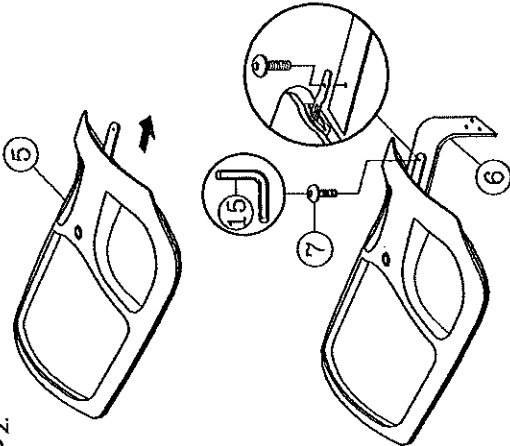
Before assembly, please remove all parts from the carton, verifying that you have the correct quantities, and read all the instructions.

PART LIST KEY	QTY	DESCRIPTION
1	5	Caster
2	1	Base
3	1	Seat Post
4	1	Seat Post Cover
5	1	Backrest
6	1	Backrest Post
7	1	Back Post Screw
8	1	Seat
9	1	Mechanism
10	6	Mechanism Screw
11	2	Arm Bracket
12	2	Arm Width Adjustment Knob + Washers
13	2	Armrest
14	3	Back Tight Screw + Washer
15	1	M5 Size Allen Wrench

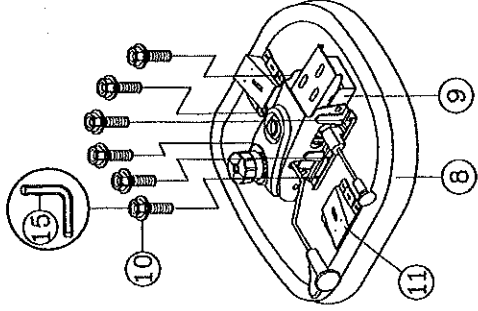
STEP 1.



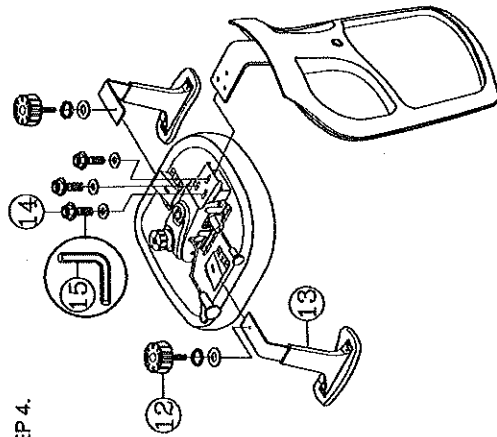
STEP 2.



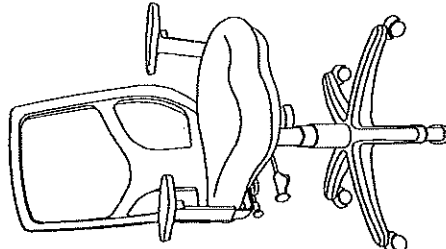
STEP 3.



STEP 4.



STEP 5.



**MECHANISM INSTRUCTIONS:**

(A) **SEAT HEIGHT ADJUSTMENT:**  
Pull lever up and downward. Release lever when desired position is reached.

(B) **BACK TILT ADJUSTMENT:**  
To lock in upright position, push lever in.

(C) **TILT TENSION ADJUSTMENT KNOB:**  
Rotate knob clockwise / counterclockwise to adjust tilt tension based on body weight.

(D) **SLIDER SEAT:**  
Pull handle bar out, allows seat to slide forward and backward. Release handle bar to lock desired seat position.

**PREVENTIVE MAINTENANCE AND WARNING!**

- USE THIS PRODUCT ONLY FOR SEATING ONE PERSON AT A TIME.
- DO NOT USE THIS CHAIR AS A STEP STOOL / LADDER.
- DO NOT SIT ON ANY PART OF THE CHAIR EXCEPT THE SEAT.
- DO NOT USE CHAIR ON UNEVEN FLOOR SURFACES.
- DO NOT USE CHAIR UNLESS ALL BOLTS, SCREWS AND KNOBS ARE TIGHTENED.
- EVERY SIX MONTHS, PLEASE MAKE SURE ALL BOLTS, SCREWS AND KNOBS ARE FULLY TIGHTENED TO ENSURE STABILITY.
- IF ANY PARTS ARE MISSING, BROKEN, DAMAGED OR WORN, STOP USE OF THE PRODUCT UNTIL REPAIRS ARE MADE USING FACTORY AUTHORIZED PARTS.
- DISPOSE OF PACKAGING PROPERLY. PLASTIC BAGS NOT A TOY.
- DO NOT USE PLASTIC BAGS AS HEAD COVERING - IT MAY CAUSE SUFFOCATION.
- FAILURE TO FOLLOW THESE WARNINGS COULD RESULT IN SERIOUS INJURY.
- NOTE: SOME SCREWS MAY BE PREASSEMBLED. IF PREASSEMBLED, IGNORE ASSEMBLY INSTRUCTIONS.

**▲ ATTENTION ▲**

Do not tighten any screws or bolts until the unit is completely assembled. Ensure all bolts and screws are tightened before using the chair, check bolts and screws every 6 months. If any parts are missing, broken, damaged or worn, stop use of product until repairs have been made using factory authorized parts. Failure to follow these warnings may result in injury.